

1 2 3 4 5 6 7 8

A

A

B

B

C

C

D

D

E

E

F

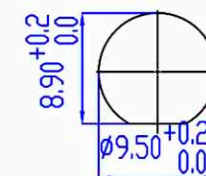
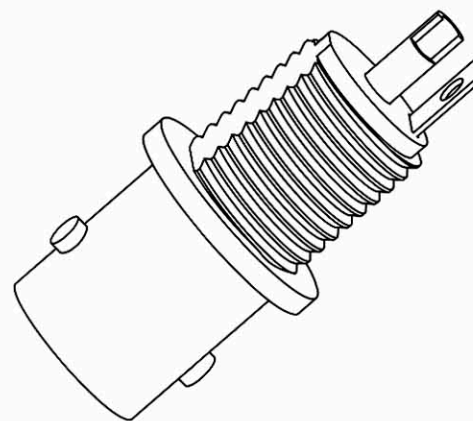
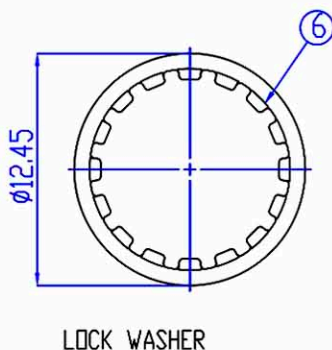
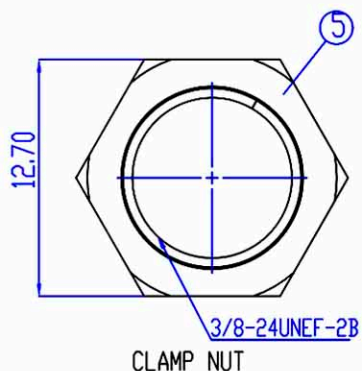
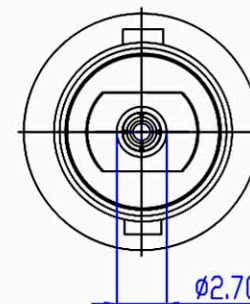
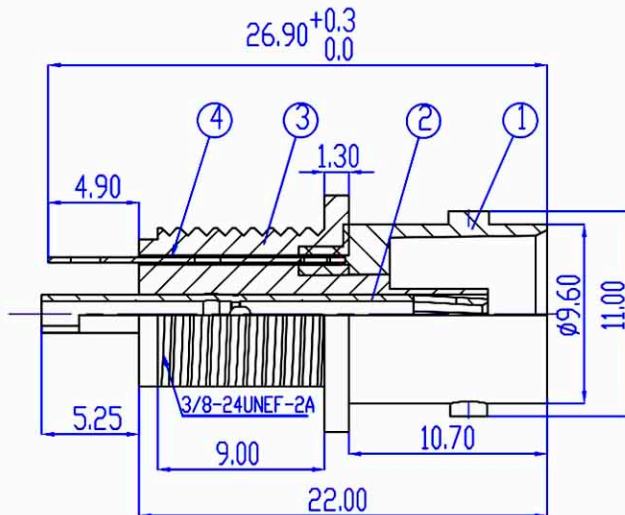
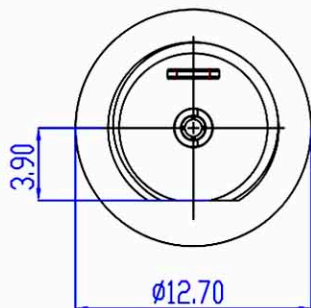
F

G

G

H

H



RECOMMENDED MOUNTING HOLE

MATERIAL & FINISH

- 1. BODY : ZINC ALLOY, NICKEL PLATED
- 2. CENTER CONTACT : PHOSPHOR BRONZE, GOLD PLATED
- 3. INSULATOR : PBT (94 V-0)
- 4. GROUND RING : BRASS (C6802), TIN PLATED
- 5. NUT : BRASS(C6802) , NICKEL PLATING
- 6. WASHER : STEEL, NICKEL PLATING

RoHS Compliant

HSM 玄茂科技股份有限公司
HSUAN MAO TECHNOLOGY CO., LTD.

APPD. 核准 Betty
 DWG. 製圖 Lena
 DATE 制表日 2022/3/16

SCALE 比例 參考
 UNIT 單位 MM
 PAGE 張數 1 OF 1

TOLERANCE
 .0 ±0.5
 .00 ±0.3
 .000 ±0.2
 .000 ANG ±0.1
 ±3

SIZE 紙張尺寸 A4
 REV. 版本 B

PART NAME 品名
 BNC FEMALE ISOLATED GROUND BULKHEAD STRAIGHT 75 OHMS BODY MATERIAL ZINC ALLOY/NICKEL PLATED CENTER CONTACT BRASS/GOLD PLATED W/HEX NUT & WASHER NICKEL PLATED ROHS

PART NO. 料號
 C0404-BJSBMW00R

1 2 3 4 5 6 7 8