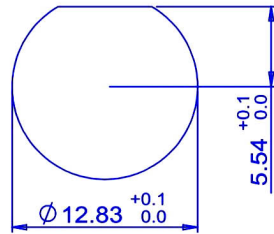
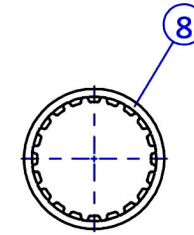


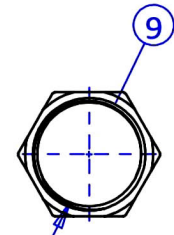
RECOMMEND PC BOARD LAYOUT  
WITHOUT MOUNTING POSTS



RECOMMENDED MOUNTING HOLE  
MAXIMUM PANEL THICKNESS: 5.5mm

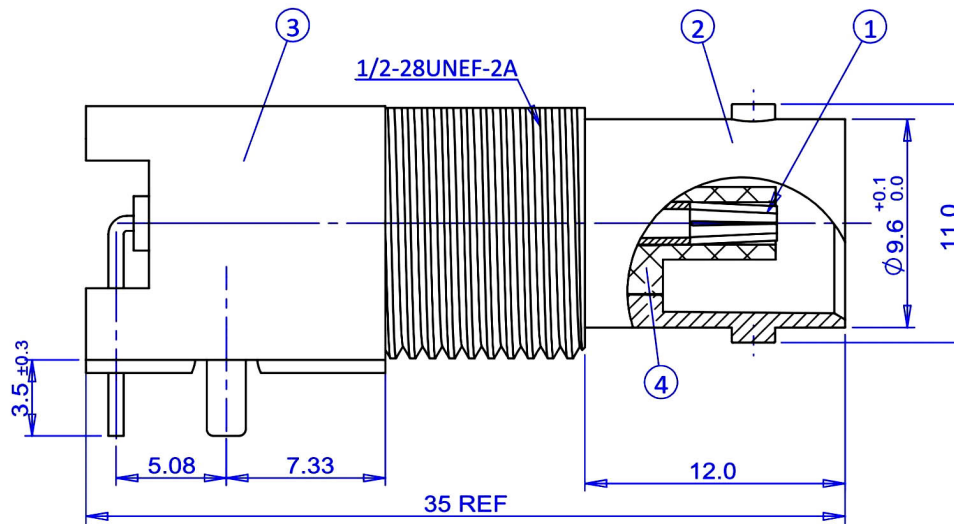
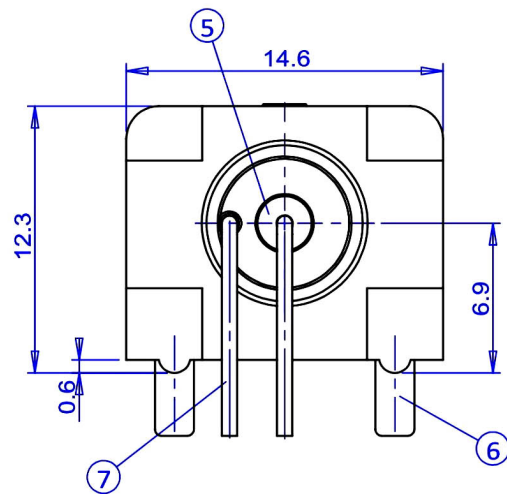


LOCK WASHER  
SCALE: 1/1



1/2-28UNEF-2B

CLAMP NUT  
SCALE: 1/1



**MATERIAL & FINISH**

1. CENTER CONTACT : PHOSPHOR BRONZE, GOLD PLATING
2. BODY : ZINC ALLOY, NICKEL PLATING
3. HOUSING : PBT (94 V-0), WHITE
- 4&5. INSULATOR : PE-606
6. MOUNTING POST : BRASS, TIN PLATING
7. SOLDER TALL: COPPER WIRE, TIN PLATING
8. WASHER : STEEL, NICKEL PLATING
9. NUT : BRASS, NICKEL PLATING

RoHS  
Compliant

**HSM** 玄茂科技股份有限公司  
**HSUAN MAO TECHNOLOGY CO., LTD.**

APPD.  
核准 HELEN  
DWG.  
製圖 ABBY  
DATE 制表日  
2017/05/02

SCALE  
比例 參考  
UNIT  
單位 MM  
PAGE  
張數 1 OF 1

UNLESS OTHERWISE SPECIFIED:  
DIMENSIONS ARE IN mm  
TOLERANCES ARE:  
X ± 0.5  
X.X ± 0.3  
X.XX ± 0.2  
ANGLES ± 3 DEG  
SIZE:  
紙張尺寸 A 4  
REV.  
版次 B

PART NAME 品名  
BNC CONNECTOR RIGHT ANGLE TYPE WITHOUT FILTER  
WITH ACCESSORIES(LOCK WASHER & NUT) 50ohms  
BODY HEIGHT:12.3mm WHITE PLASTIC COVER ROHS  
PART NO.  
料號 C0401-RNAEW001R