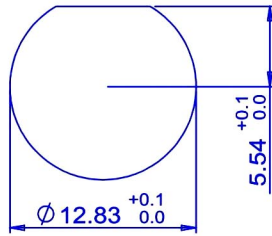
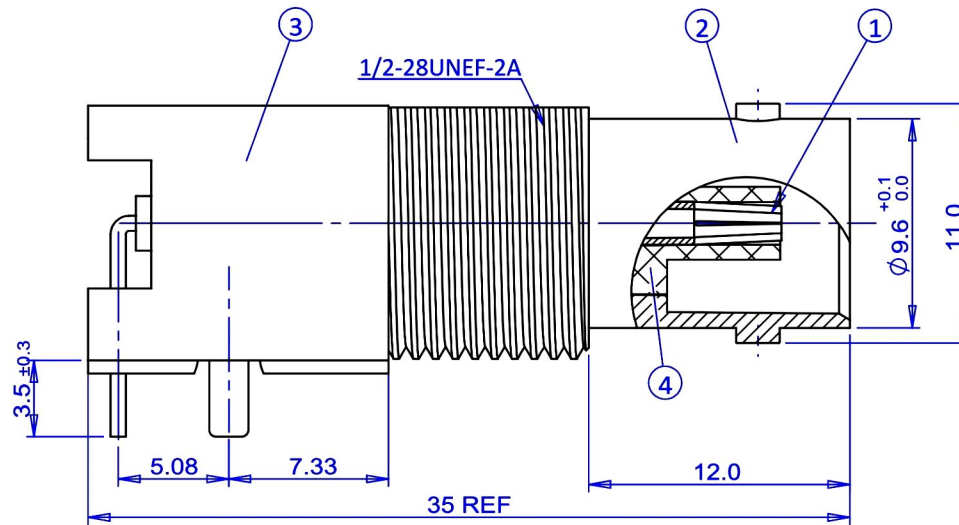
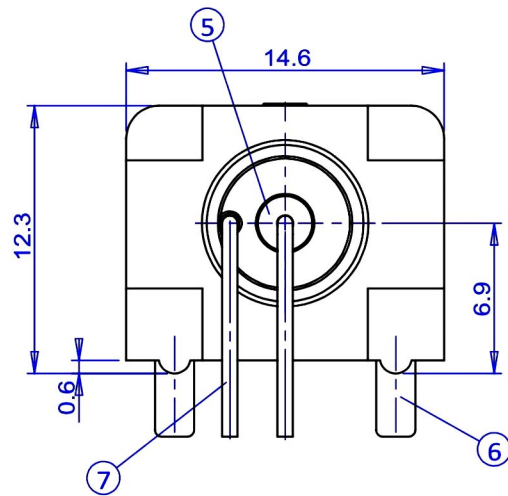


RECOMMEND PC BOARD LAYOUT  
WITHOUT MOUNTING POSTS



RECOMMENDED MOUNTING HOLE  
MAXIMUM PANEL THICKNESS: 5.5mm



**MATERIAL & FINISH**

1. CENTER CONTACT : PHOSPHOR BRONZE, GOLD PLATING
2. BODY : ZINC ALLOY, NICKEL PLATING
3. HOUSING : PBT (94 V-0), WHITE
- 4&5. INSULATOR : PE-606
6. MOUNTING POST : BRASS, TIN PLATING
7. SOLDER TAIL : COPPER WIRE, TIN PLATING

<b>RoHS Compliant</b>		<b>HSM 玄茂科技股份有限公司</b>	
		<b>HSUAN MAO TECHNOLOGY CO., LTD.</b>	
APPD. 核准	HELEN	UNLESS OTHERWISE SPECIFIED: DIMENSIONS ARE IN mm TOLERANCES ARE: X. ± 0.5 XX ± 0.3 XXX ± 0.2 ANGLES ± 3 DEG	PART NAME 品名
DWG. 製圖	ABBY		BNC CONNECTOR RIGHT ANGLE TYPE WITHOUT FILTER NON ACCESSORIES (W/O WASHER & NUT) 50ohms BODY HEIGHT:12.3mm WHITE PLASTIC COVER ROHS
DATE 制表日	2017/05/02	SCALE 比例 參考	PART NO. 料號 C0401-RNAEW000R
		UNIT 單位 MM	
		PAGE 張數 1 / 1	
		SIZE. 紙張尺寸 A4	
		REV. 版本 C	