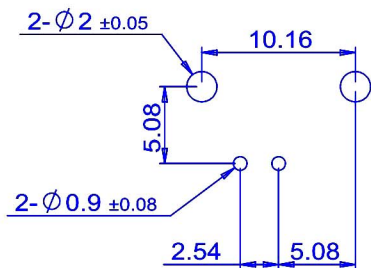
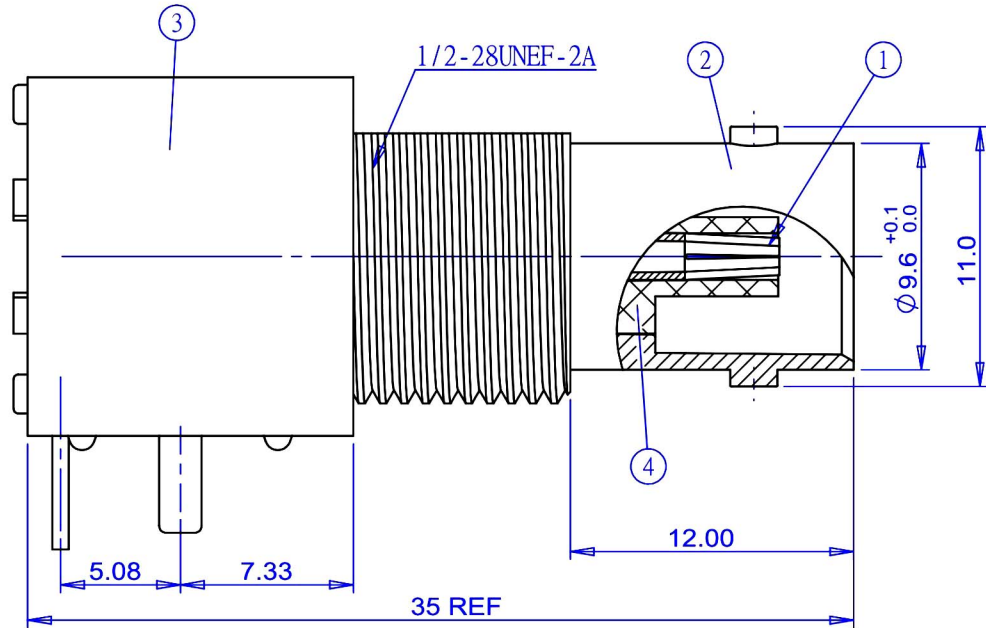
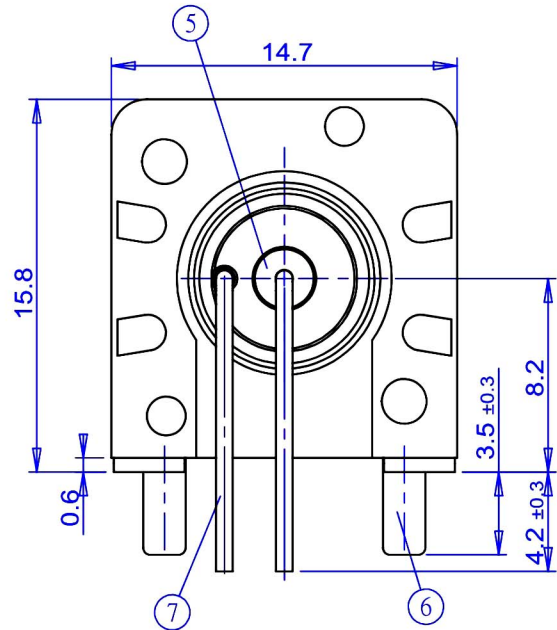


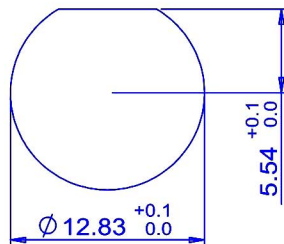
1 2 3 4 5 6 7 8

A
B
C
D
E
F
G
H

A
B
C
D
E
F
G
H



RECOMMEND PC BOARD LAYOUT WITHOUT MOUNTING POSTS



RECOMMENDED MOUNTING HOLE
MAXIMUM PANEL THICKNESS: 5.5mm

MATERIAL & FINISH

- 1.CENTER CONTACT : PHOSPHOR BRONZE, GOLD PLATING
- 2.BODY : ZINC ALLOY, NICKEL PLATING
- 3.HOUSING : PBT (94 V-0), WHITE
- 4&5. INSULATOR : PE-606
- 6.MOUNTING POST : BRASS, TIN PLATING
- 7.SOLDER TALL: COPPER WIRE, TIN PLATING

RoHS Compliant		HSM 玄茂科技股份有限公司	
		HSUAN MAO TECHNOLOGY CO., LTD.	
APPD. 核准 HELEN		TOLERANCE 容許公差 X ± 0.5 XX ± 0.3 XXX ± 0.2 ANGLES ± 3 DEG	PART NAME 品名 BNC CONNECTOR RIGHT ANGLE TYPE WITHOUT FILTER W/O ACCESSORIES (W/O WASHER & NUT) 50Ω BODY HEIGHT:15.8mm WHITE PLASTIC COVER ROHS
DWG. 製圖 ABBY	SCALE 比例 參考	UNIT 單位 MM	PART NO. 料號 C0401-RNACW000R
DATE 制表日 2016/11/24	PAGE 張數 1 / 1	SIZE 紙張尺寸 A 4	REV. 版次 B

1 2 3 4 5 6 7 8