

- NOTES:
- Shielded - 0.20mm Thickness Brass C2680 H. Plating Nickel 20u"min.
  - Housing- Plastic:LCP,Glass Fiber Filled UL94V-0 , Color Black.
  - Contact Pin- Plastic:LCP,Glass Fiber Filled UL94V-0 , Color Black. Pin:0.35mm Thickness Phosphor Bronze C5210 EH. Plating:Nickel 30u"~60u" For All And Sn 100%, And Gold Plating 6u".
  - Insert Pin- Plastic:LCP,Glass Fiber Filled UL94V-0 , Color Black. Pin:0.35mm Thickness SUS430. Plating:Su All Over 30u"~60u" Nickel
  - LED-

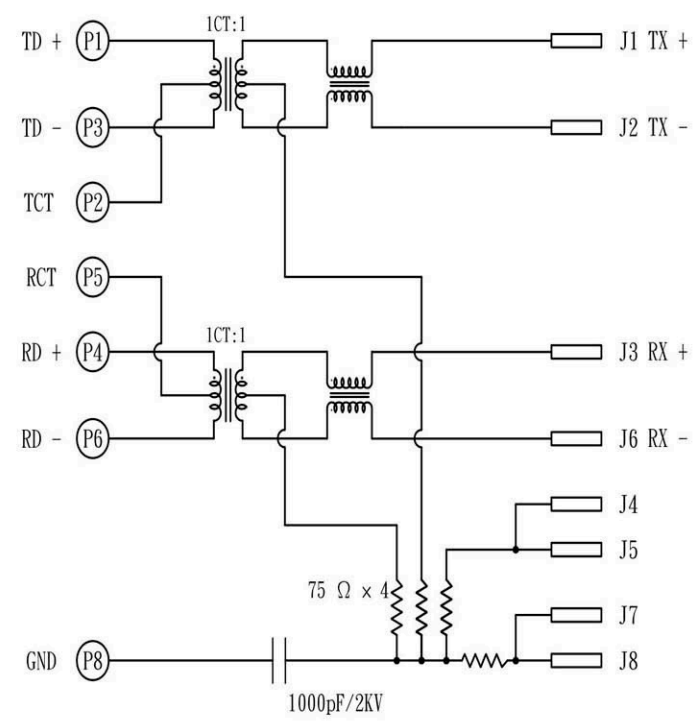
STANDARD LED	WAVELENGTH	FORWARD VOLTAGE
GREEN	565nm	2.5V MAX
GREEN	565nm	2.5V MAX

With a forward current of 20mA

<b>RoHS Compliant</b>		<b>HSM 玄茂科技股份有限公司</b> <b>HSUAN MAO TECHNOLOGY CO., LTD.</b>	
APPD. 核准 DWG. 製圖 DATE 制表日 2019/3/8	SCALE 比例 參 考 UNIT 單位 MM PAGE 張數 2 OF 1	TOLERANCE 容許公差 0 ± 0.35 .00 ± 0.25 ANG. ± 3° SIZE 線規尺寸 A 4 REV. 版本 A	PART NAME 品名 RJ45 TRANSFORMER PCB JACK LATCH ON THE DOWN SIDE WITH FULLY SHIELDED (BEHIND PEG 3.05mm) W/ TABS SELECTIVE GOLD 6U" PLATING FLAT PIN WITH LED (LEFT:GREEN/RIGHT:GREEN) BLACK COLOR ROHS PART NO. 料 號 C0235-88AYQB20R

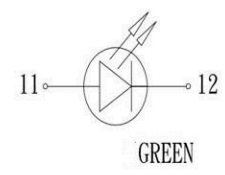
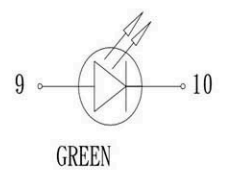
SCHEMATIC:

47F-02



LEFT LED  
9+ 10- GREEN

RIGHT LED  
11+ 12- GREEN



Feature:

- . Operating temperature: -40°C to +85°C
- . Storage temperature: -40°C to +85°C

Electrical Specifications: (25°C)

- Turns Ratio: @100KHz, 0.1V  
P1-P3: J1-J2 = 1:1±5%  
P4-P6: J3-J6 = 1:1±5%
- OCL: @100KHz, 0.1V, 8mA DC BIAS: 350uH Min
- Insertion Loss:  
@1~100MHz : -1.0dB Max
- Return Loss:  
@1~30MHz : -18dB Min  
@30~60MHz : -16dB Min  
@60~80MHz : -12dB Min  
@80~100MHz : -10dB Min
- Crosstalk: @1~100MHz : -30dB Min
- Common Mode Rejection: @1~100MHz : -30dB Min
- Hi-Pot: INPUT TO OUTPUT 1500VAC, 1mA, 60S
- RoHS Compliance: YES

RoHS  
Compliant

**HSM** 玄茂科技股份有限公司  
**HSUAN MAO TECHNOLOGY CO., LTD.**

APPD. 核准	 SCALE 比例 参考	TOLERANCE 容許公差	PART NAME 品名
DWG. 製圖		0 ± 0.35 .00 ± 0.25 ANG. ± 3°	
DATE 制表日	UNIT 單位	SIZE. 紙張尺寸	PART NO. 料號
2019/3/8	M M	A 4	
	PAGE 張數	REV. 版本	
	2 OF 2	A	C0235-88AYQB20R