

RECOMMENDED PCB LAYOUT
TOLERANCE ±0.05mm(T=1.6mm)

NOTES:

- 1. Shielded - 0.20mm Thickness Brass C2680 H. Plating Nickel 20u"MIN.
- 2. Housing- Plastic: Nylon 66, Glass Fiber Filled UL94V-0, Color Black.
- 3. Contact Pin- Plastic: Nylon 66, Glass Fiber Filled UL94V-0, Color Black. Pin: 0.35mm Thickness Phosphor Bronze C5210 EH. Plating: Nickel 30u"~60u" For All And Sn 100%, And Gold Plating 6u".
- 4. Insert Pin- Plastic: Nylon 66, Glass Fiber Filled UL94V-0, Color Black. Pin: 0.35mm Thickness SUS430. Plating: Nickel 30u"~60u" for all and Sn 100%.

5. LED-

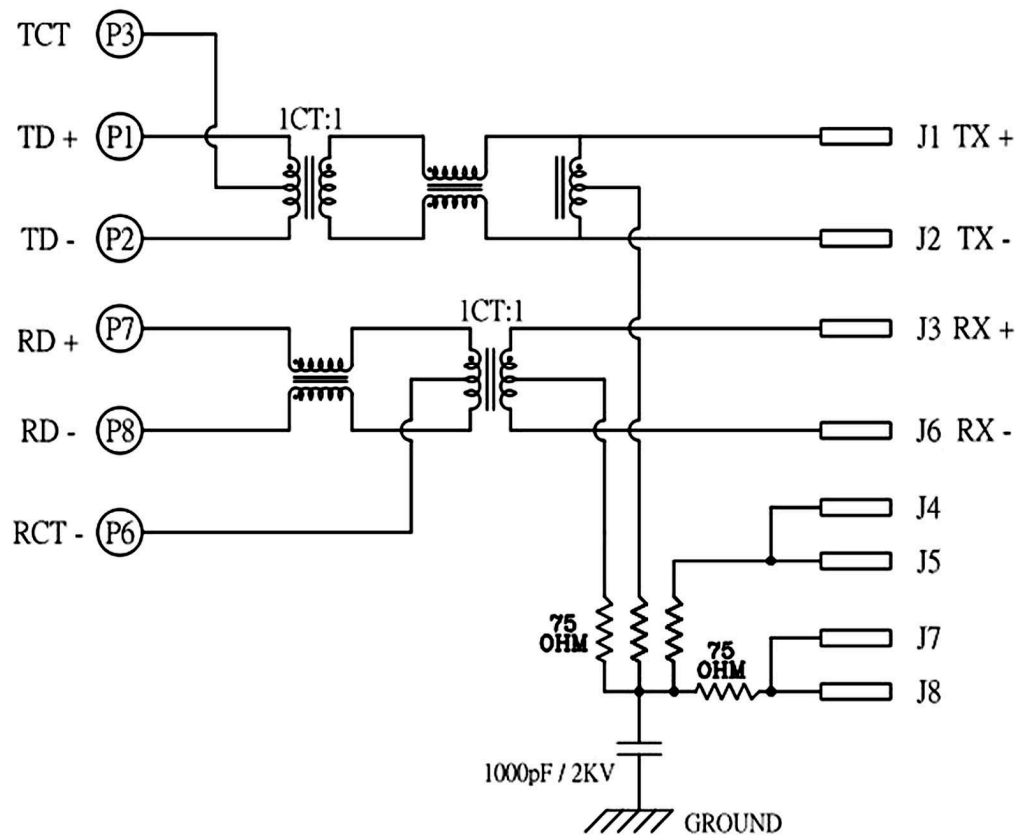
STANDARD LED	WAVELENGTH	FORWARD VOLTAGE
GREEN	565nm	2.5V MAX
YELLOW	585nm	2.5V MAX

With a forward current of 20mA

Current Rating : 1.5A
Voltage Rating : 150V AC
Operating Temp : 0°C~+70°C
Insulation Resistance: 500VDC / 500MΩ
Dielectric Withstanding Voltage: INPUT TO OUTPUT 1500VAC/1sec/1mA

RoHS Compliant		HSM 玄茂科技股份有限公司 HSUAN MAO TECHNOLOGY CO., LTD.	
APPD. 核准		TOLERANCE 容許公差	PART NAME 品名
DWG. 製圖	Betty	SCALE 比例 參考	RJ45 TRANSFORMER PCB JACK LATCH ON THE DOWN SIDE WITH FULLY SHIELDED (BEHIND PEG 3.05mm) W/ TABS SELECTIVE GOLD 6U" PLATING FLAT PIN WITH LED (LEFT: GREEN / RIGHT: YELLOW) BLACK COLOR ROHS
DATE 制表日	2016/08/29	UNIT 單位 M M	PART NO. 料號
		PAGE 張數 1 OF 2	C0232-88AYQB30R
		REV. 版次 A	

SCHEMATIC:



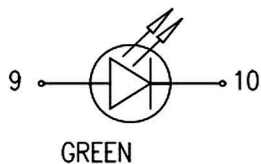
Feature:

- .Operating temperature: 0°C to +70°C
- .Storage temperature: -40°C to +85°C

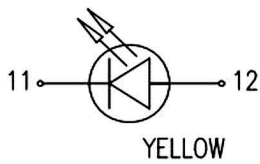
Electrical Specifications: (25°C)

- 1.Turns Ratio:@100KHz,0.1V
P1-P2: J1-J2 = 1:1±5%
P7-P8: J3-J6 = 1:1±5%
- 2.OCL: @100KHz,0.1V,8mA DC BAI:350uH Min
- 3.Insertion Loss:
@1~100MHz : -1.0dB Max
- 4.Return Loss:
@1~30MHz : -18dB Min
@30~60MHz : -16dB Min
@60~80MHz : -12dB Min
@80~100MHz : -10dB Min
- 5.Crosstalk: @1~100MHz : -30dB Min
- 6.Common Mode Rejection: @1~100MHz : -30dB Min
- 7.Hi-Pot: INPUT TO OUTPUT 1500VAC,1mA,60S
- 8.RoHS Compliance: YES

LEFT LED
9+ 10- GREEN



RIGHT LED
11- 12+ YELLOW



RoHS
Compliant

HSM 玄茂科技股份有限公司
HSUAN MAO TECHNOLOGY CO., LTD.

APPD.
核准
Betty
DATE 制表日
2016/08/29

SCALE
比例 参考
UNIT
單位 M M
PAGE
張數 2 OF 2

TOLERANCE
容許公差
.0 ± 0.38
.00 ± 0.20
ANG. ± 2°
SIZE
紙張尺寸 A 4
REV.
版次 A
PART NAME 品名
RJ45 TRANSFORMER PCB JACK LATCH ON THE DOWN SIDE
WITH FULLY SHIELDED(BEHIND PEG 3.05mm) W/ TABS
SELECTIVE GOLD 6U" PLATING FLAT PIN WITH LED
(LEFT:GREEN/RIGHT:YELLOW) BLACK COLOR ROHS
PART NO.
料號 C0232-88AYQB30R