

1 2 3 4 5 6 7 8

A

B

C

D

E

F

G

H

A

B

C

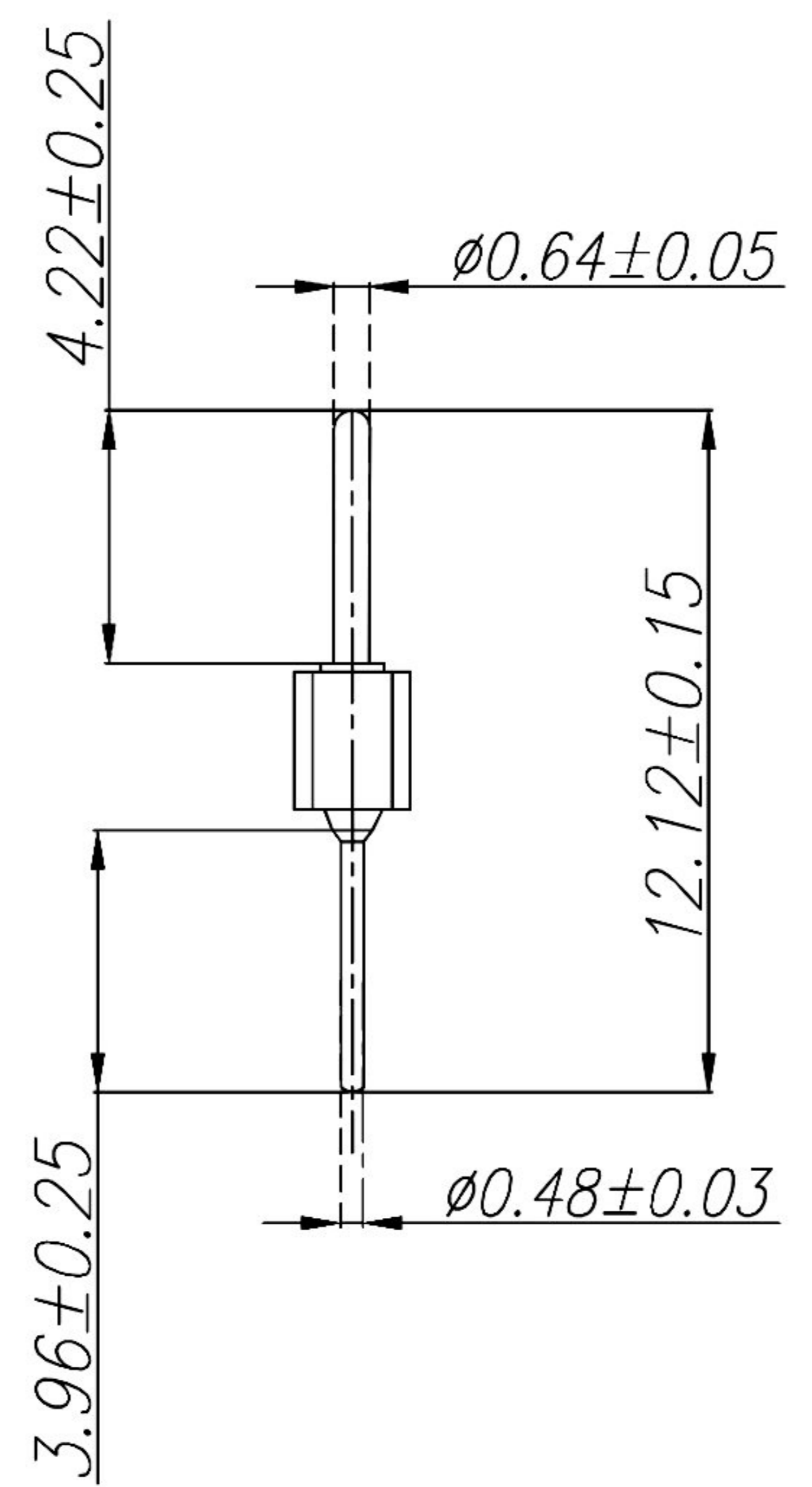
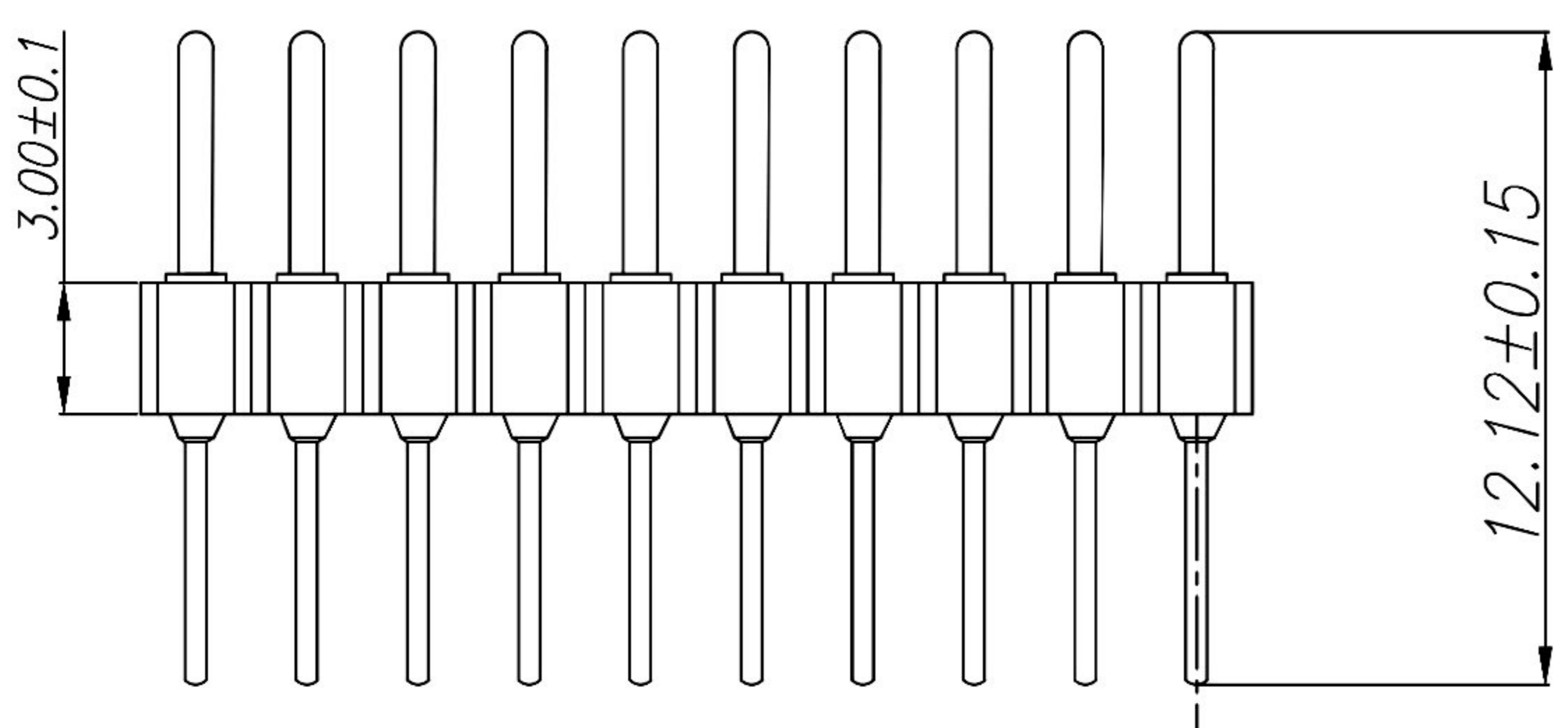
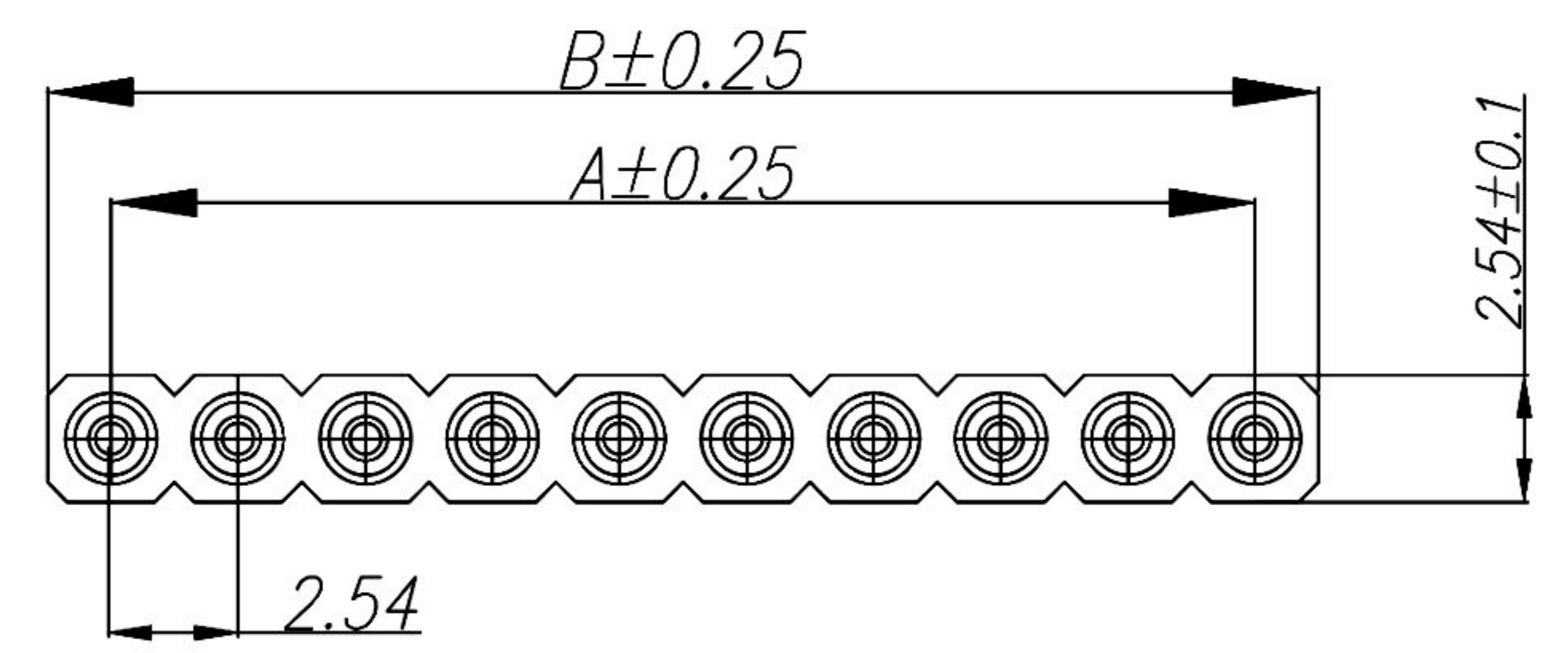
D

E

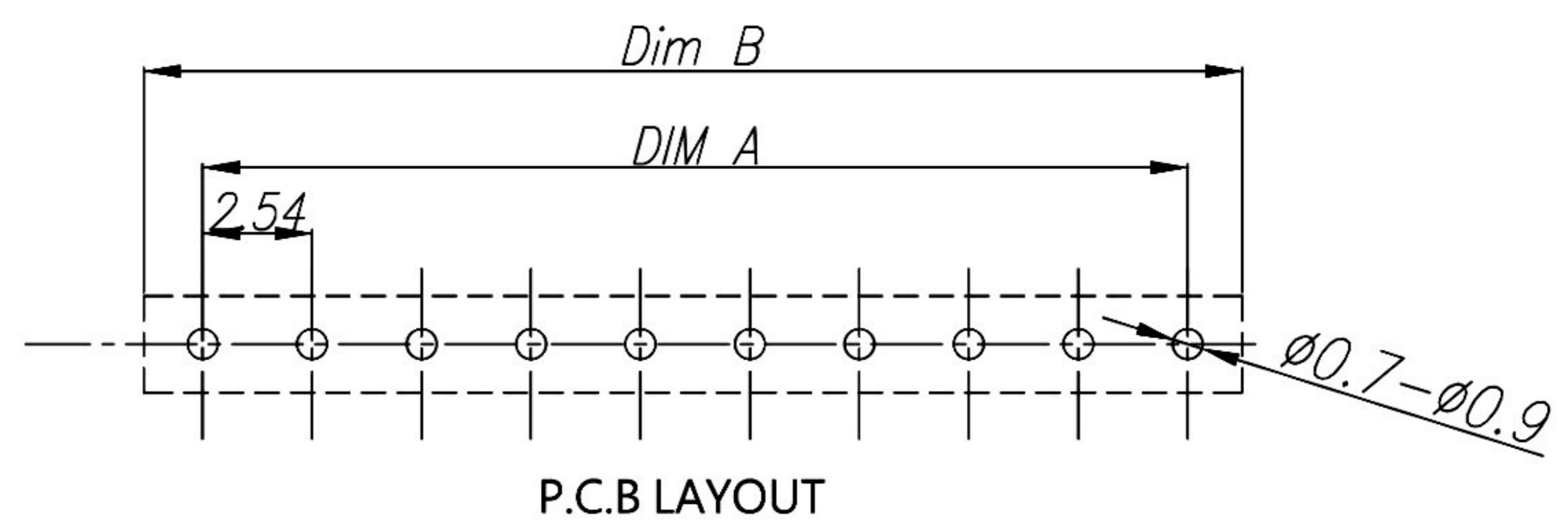
F

G

H



No of contacts	Dim A	Dim B	No of contacts	Dim A	Dim B
1		2.54	21	50.80	53.34
2	2.54	5.08	22	53.34	55.88
3	5.08	7.62	23	55.88	58.42
4	7.62	10.16	24	58.42	60.96
5	10.16	12.70	25	60.96	63.50
6	12.70	15.24	26	63.50	66.04
7	15.24	17.78	27	66.04	68.58
8	17.78	20.32	28	68.58	71.12
9	20.32	22.86	29	71.12	73.66
10	22.86	25.40	30	73.66	76.20
11	25.40	27.94	31	76.20	78.74
12	27.94	30.48	32	78.74	81.28
13	30.48	33.02	33	81.28	83.82
14	33.02	35.56	34	83.82	86.36
15	35.56	38.10	35	86.36	88.90
16	38.10	40.64	36	88.90	91.44
17	40.64	43.18	37	91.44	93.98
18	43.18	45.72	38	93.98	96.52
19	45.72	48.26	39	96.52	99.06
20	48.26	50.80	40	99.06	101.6



Technical Data

Material:

- Insulator body(housing): PPS (black / UL 94V-0)
- Pin :Brass, machined,Hpb59-1
- Plating: nickel-plated/full gold-flashed (0.4u"~1u")

Electrical

- Current rating: 3 Amps/contact max
- Operating :60 Veff
- Insulation resistance:>1000 MΩ at V=100V min

Mechanical:

- Operating temperature: Gold plated: -55°C to +125° C
- Soldering temperature: + 260°C ,10s max

<p>RoHS Compliant</p>		<p>HSM 玄茂科技股份有限公司</p> <p>HSUAN MAO TECHNOLOGY CO., LTD.</p>	
<p>APPD. 核准 HELEN</p>	<p>SCALE 比例 參考</p>	<p>TOLERANCE 容許公差</p> <p>.0 ±</p> <p>.00 ±</p> <p>ANG ±</p>	<p>PART NAME 品名</p> <p>2.54mm SIP SOCKET MACHINED PIN</p> <p>STRAIGHT PIN 1XXXP(SINGLE ROW)</p> <p>GOLD FLASH PLATING ROHS</p>
<p>DWG. 製圖 ABBY</p>	<p>UNIT 單位 MM</p>	<p>SIZE. 紙張尺寸 A4</p>	<p>PART NO. 料號 C0113-XXSNGB00R</p>
<p>DATE 制表日 2020/06/10</p>	<p>PAGE 張數 1 OF 1</p>	<p>REV. 版次 B</p>	

1 2 3 4 5 6 7 8