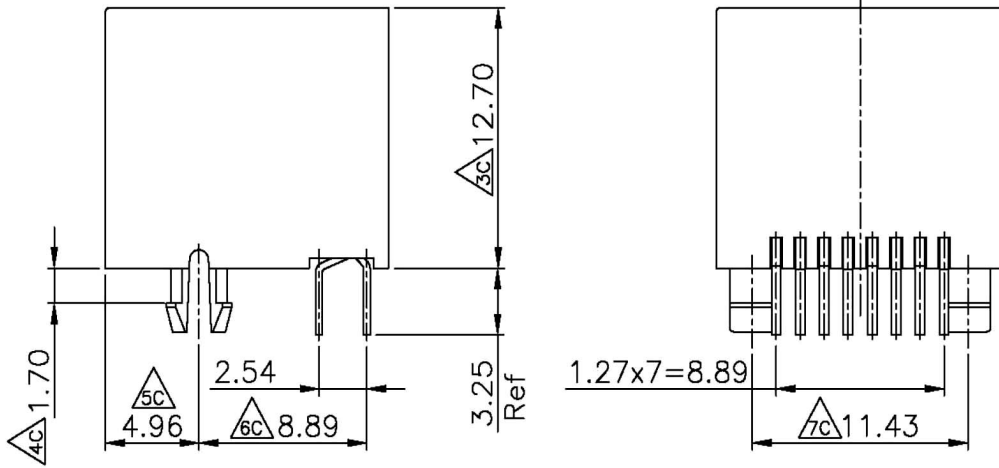


No. 編號	Item 項目	Test Method 試驗方法	Requirement 特性要求
4.1	Contact Resistance 接觸電阻	Mate connectors measure by dry circuit, 20 mV Max, 100 mA 「結合連接器後測試」 See Figure 1 【EIA-364- TP 06A】	40 mΩ Max. See Figure 1
4.2	Insulation resistance 絕緣電阻	Mate connectors apply 500V DC between adjacent terminal or ground. 「結合後對獨立之端子施加 500V DC 電壓測試」 【EIA-364-TP21B】	500 MΩ Min.
4.3	Withstanding voltage 耐高壓	Neighboring pins exerts voltage of the 1000 V AC to continue 1 minute. 「相鄰端子施加 1000V AC 之電壓持續 1 分鐘」	No Breakdown. 不可故障 0.5 mA Max. 漏電流值不可大於 0.5 mA



MATERIALS:

PLASTIC HOUSING: ENGINEERING THERMOPLASTIC

FLAMMABILITY RATING UL 94V-0.

CONTACTS: PHOSPHOR BRONZE

PLATING: GOLD PLATING OVER NICKEL IN CONTACT.

TIN PLATING OVER NICKEL IN SOLDER AREA.

RoHS Compliant		玄茂科技股份有限公司 HSUAN MAO TECHNOLOGY CO., LTD.	
APPD. 核准 Hedy	SCALE 比例 參考 UNIT 單位 M M PAGE 張數 1 OF 1	TOLERANCE .XXX ±0.10 .XX ±0.25 .X ±0.38 X ±0.50 ANG ±3°	PART NAME 品名 TOP ENTRY PCB JACK 8P8C DIP TYPE UNSHIELDED TYPE W/O PANEL STOP SPLIT FOOT BLACK COLOR FLAT PIN SELECTIVE GOLD 6U" PLATING ROHS LOW-LEAD
DWG. 製圖 Yumi		DATE 制表日 2010/05/18	REV. 版次 A