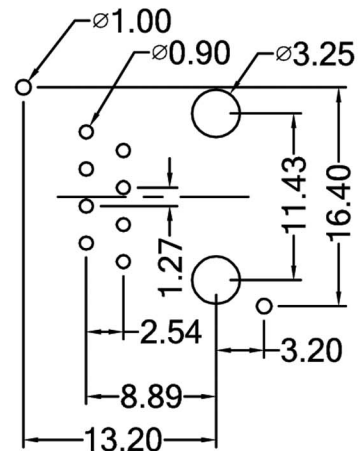


**MATERIAL & FINISH**

Housing & Insert: PBT. UL94V-0, white  
 Conductor: 0.35 x 0.42 mm phosphor bronze,  
 Gold plated over nickel on contact area,  
 Tin plated over nickel on solder area.  
 Shield: Bronze plated nickel.



PCB LAYOUT / TOP VIEW

<b>RoHS Compliant</b>		<b>HSM 玄茂科技股份有限公司</b> <b>HSUAN MAO TECHNOLOGY CO., LTD.</b>	
APPD. 核准		TOLERANCE 容許公差 UNIT: m / m TOL.: +/- 0.15	PART NAME 品名 45 DEGREES ENTRY PCB JACK 8P8C WITH SHIELDED WHITE INSULATOR ROHS
DWG. 製圖 Hedy	SCALE 比例 參考	UNIT 單位 MM	SIZE. 紙張尺寸 A 4
DATE 制表日 2015/03/06	PAGE 張數 1 / 1	REV. 版次 A	PART NO. 料號 C0088-88YXW000R