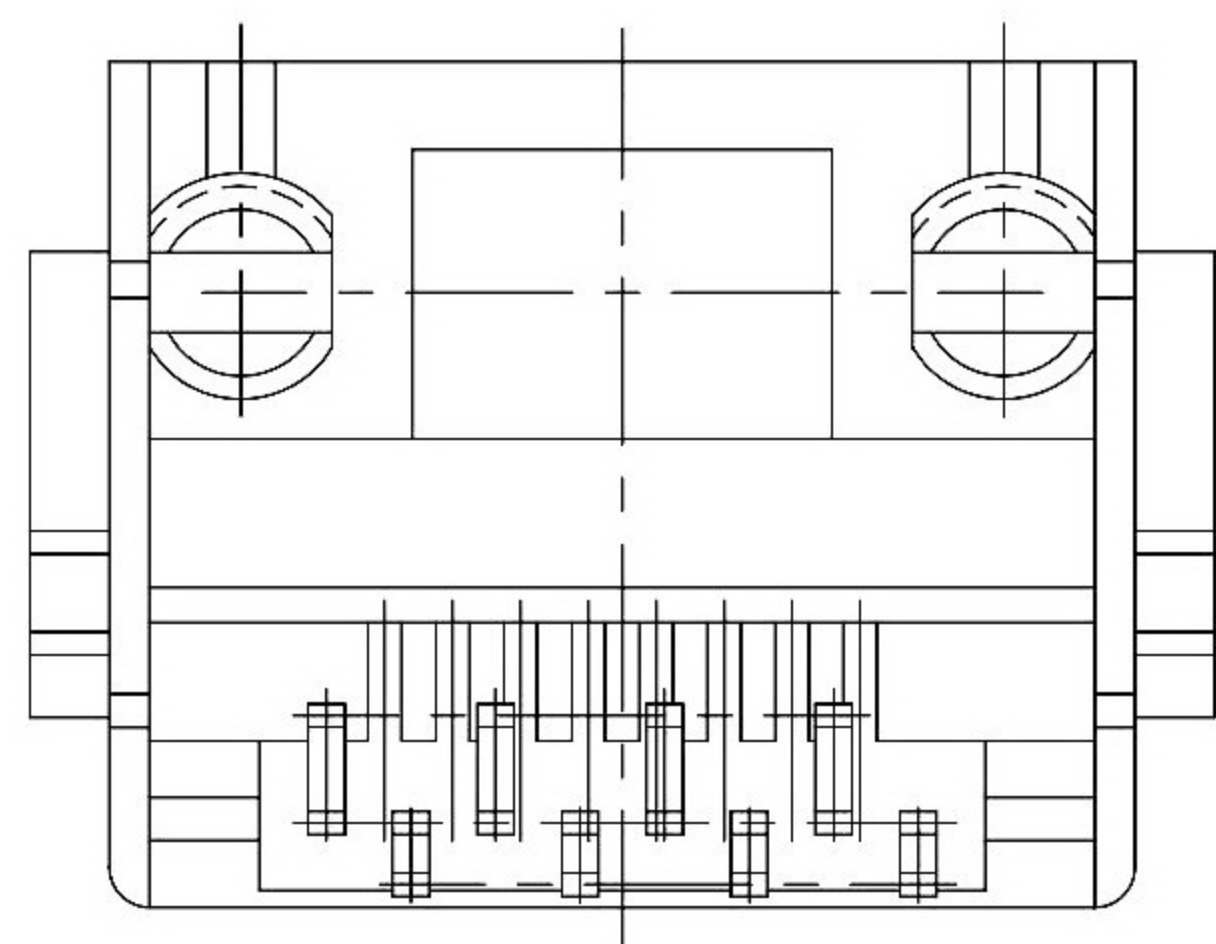
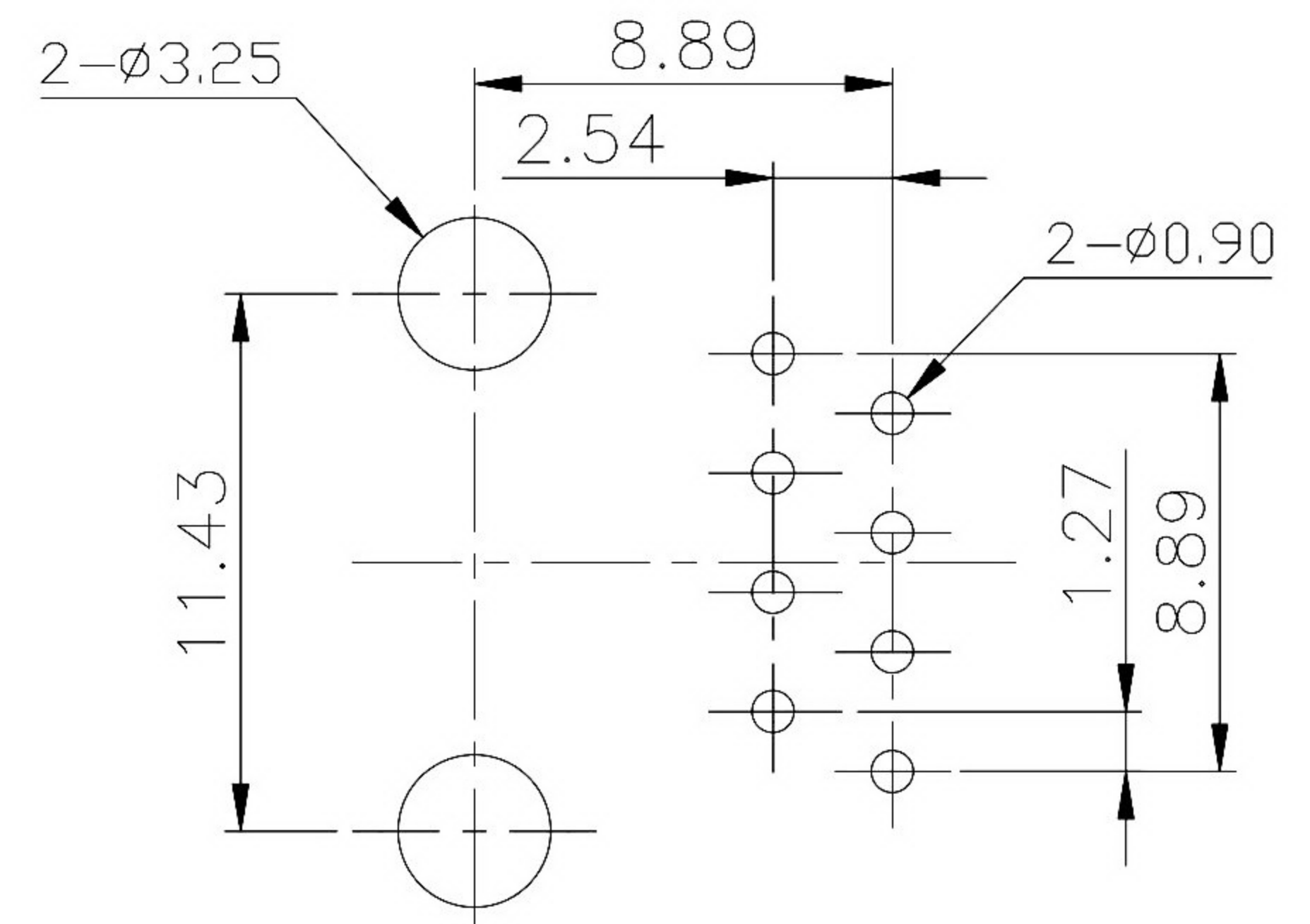
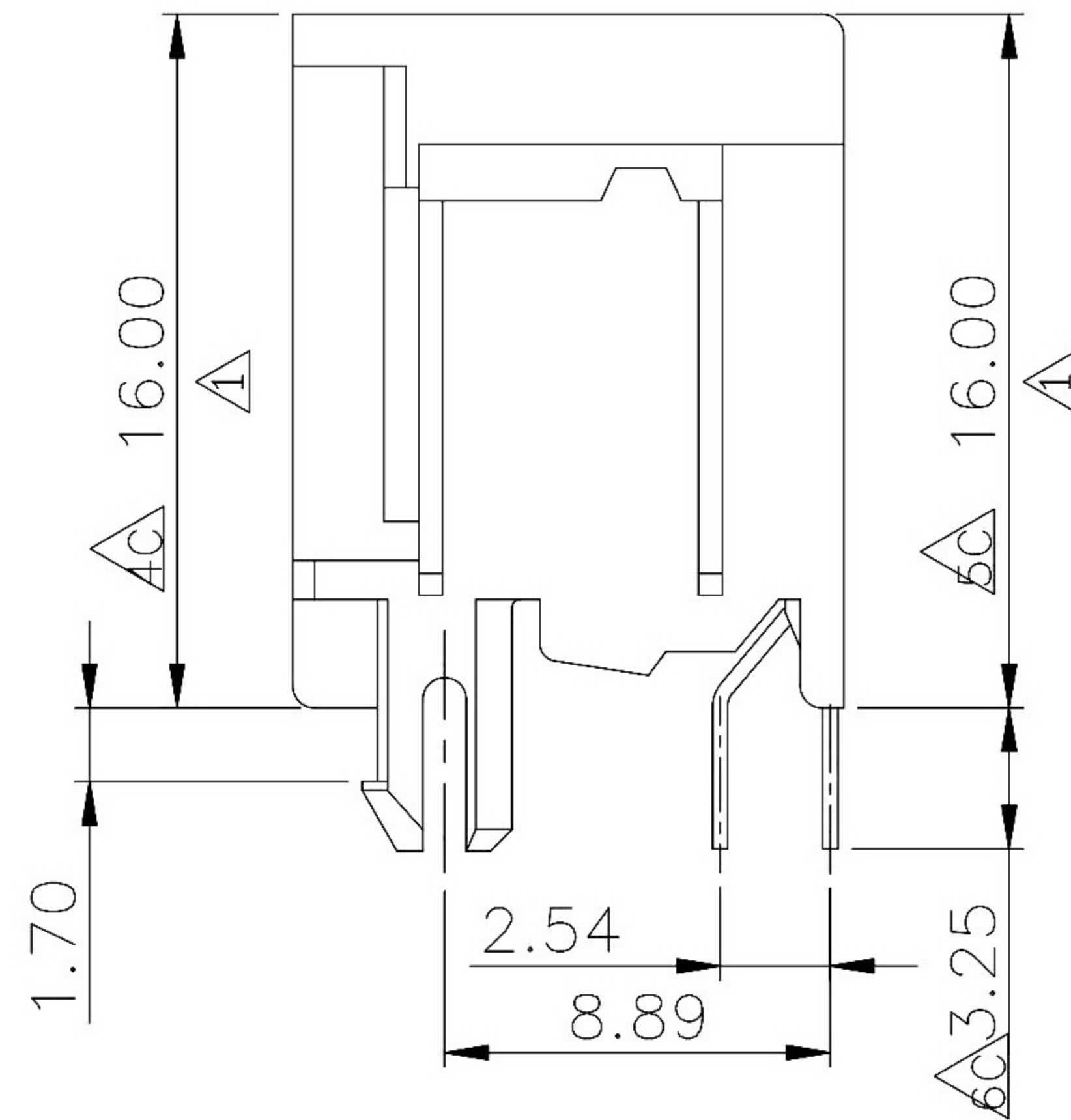
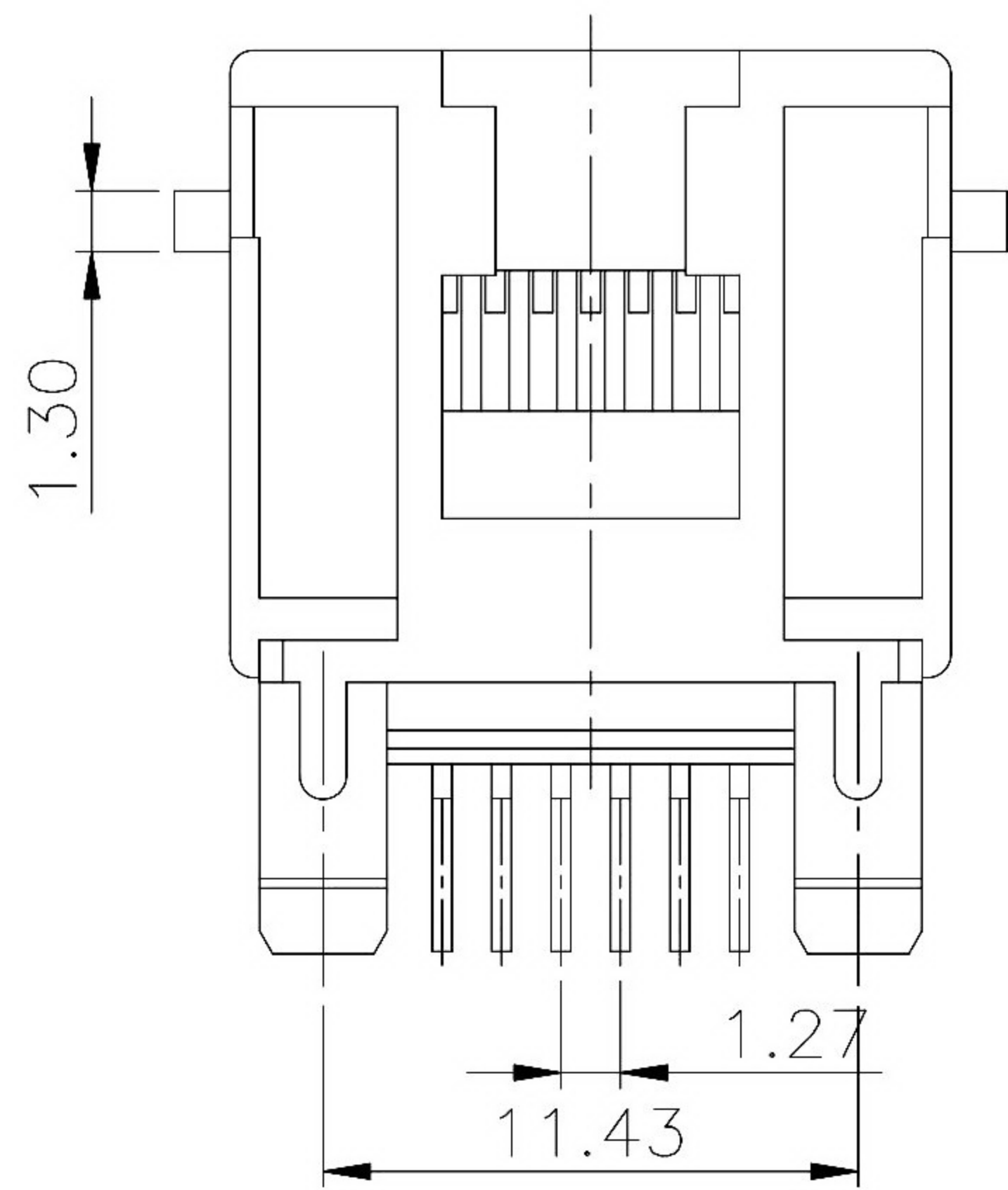


MATERIALS:
 PLASTIC HOUSING: ENGINEERING THERMOPLASTIC
 FLAMMABILITY RATING UL 94V-0.
 COLOR: BLACK
 CONTACTS: PHOSPHOR BRONZE
 PLATING: GOLD PLATING OVER NICKEL IN CONTACT.
 MATTE TIN PLATING OVER NICKEL IN SOLDER AREA.



RoHS Compliant		HSM 玄茂科技股份有限公司 HSUAN MAO TECHNOLOGY CO., LTD.	
APPD. 核准 HELEN	SCALE 比例 參考	TOLERANCE 容許公差 .xxx ±0.10 .xx ±0.25 .x ±0.38 x ±0.50 ANG ±3°	PART NAME 品名 TOP ENTRY CAT3. PCB JACK 8P8C DIP TYPE WITH PANEL STOP (UNSHIELDED) BLACK INSULATOR ROHS
DWG. 製圖 ABBY		UNIT 單位 MM	SIZE. 紙張尺寸 A4
DATE 制表日 2020/06/01	PAGE 張數 1 OF 1	REV. 版次 B	PART NO. 料號 C0087-88DAXB00R