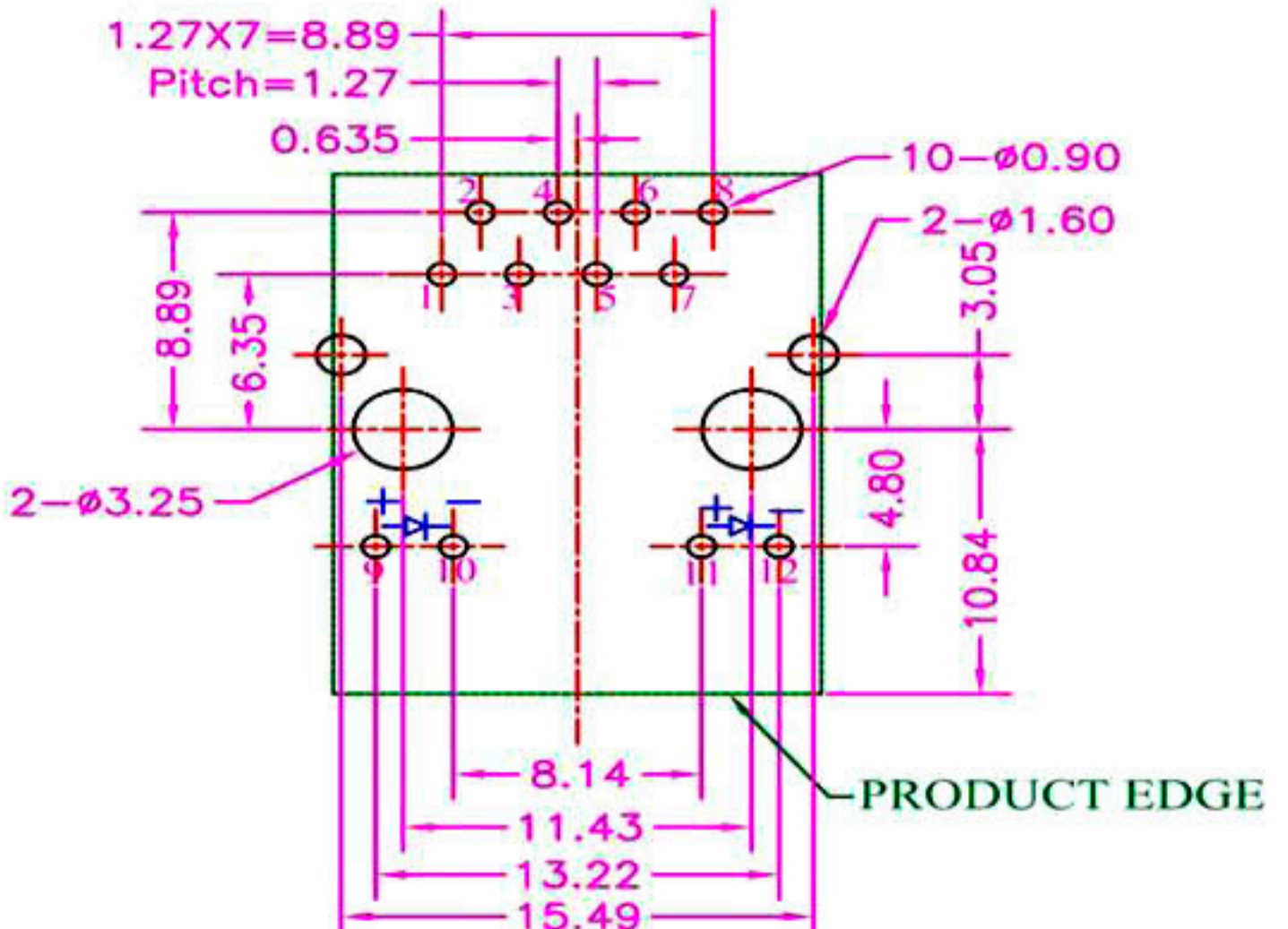
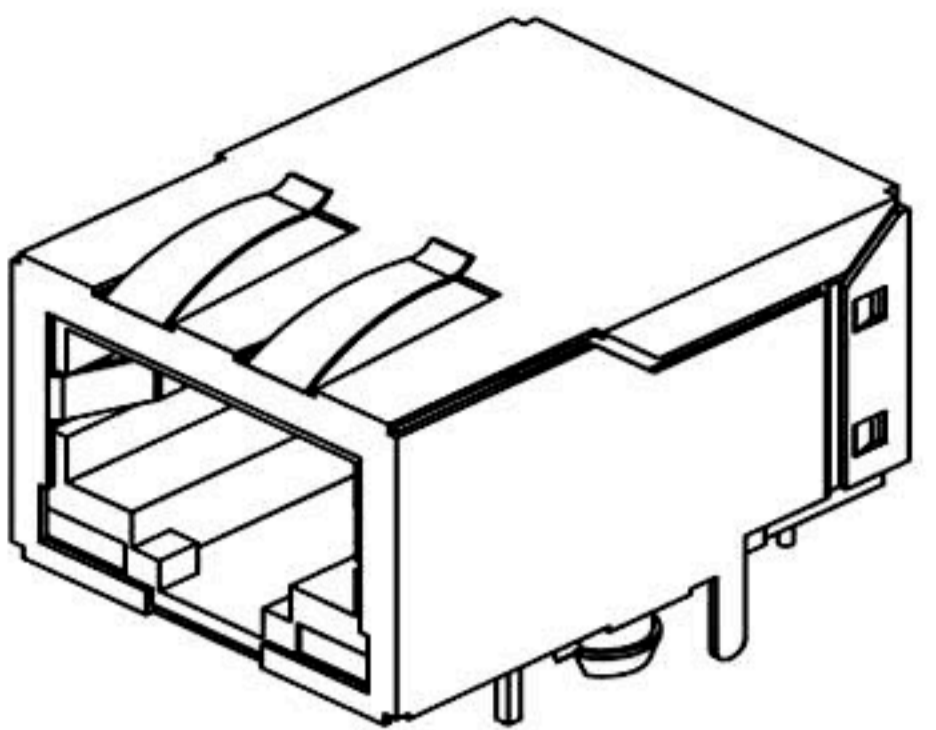
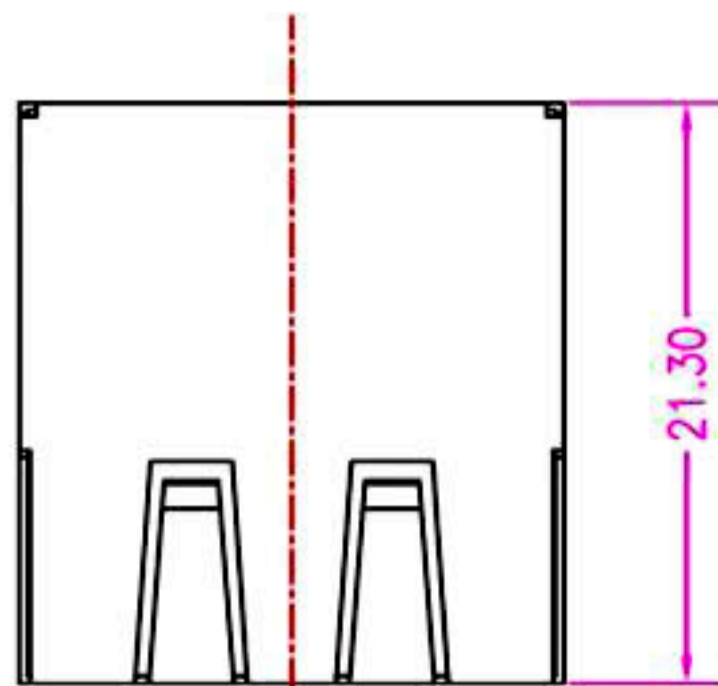


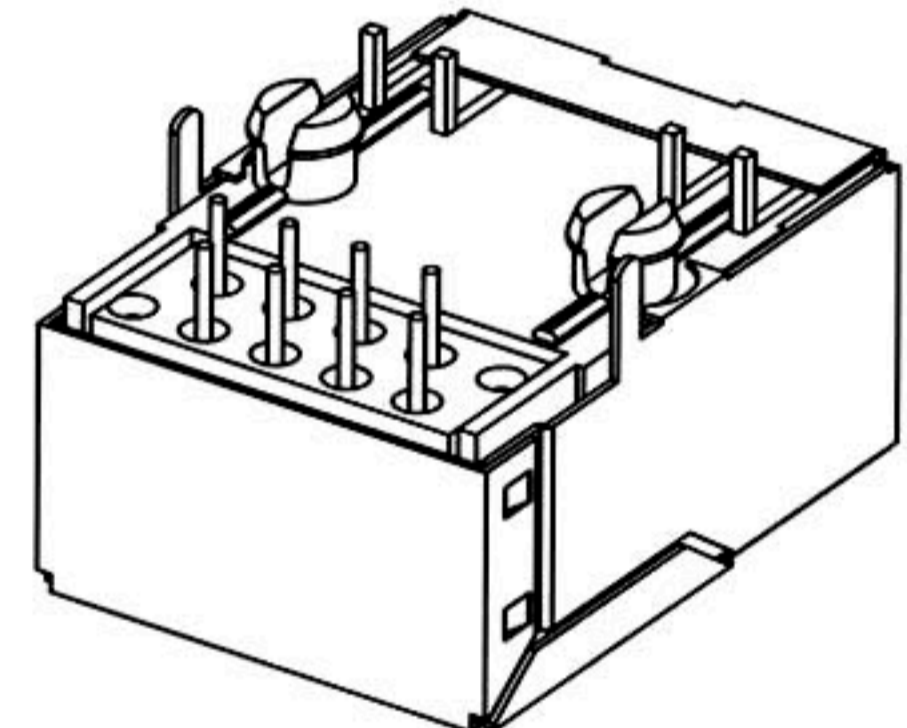
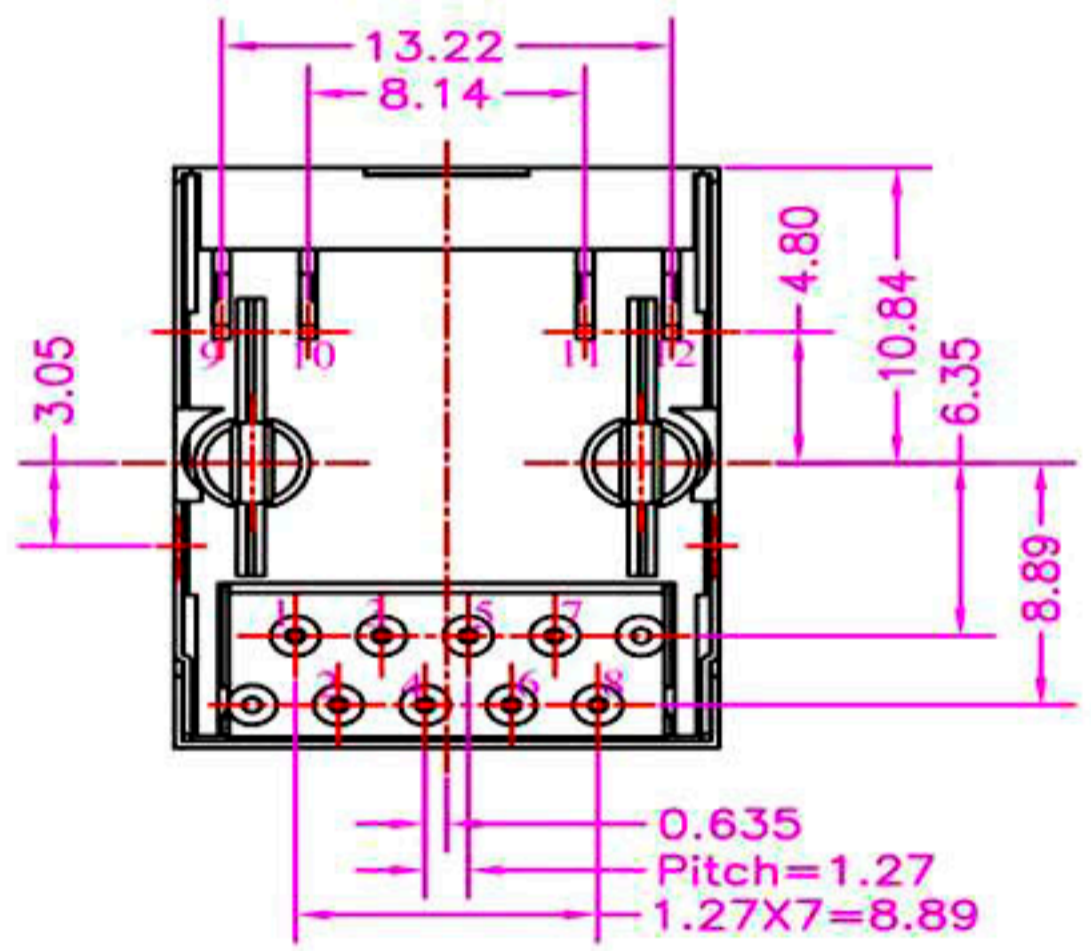
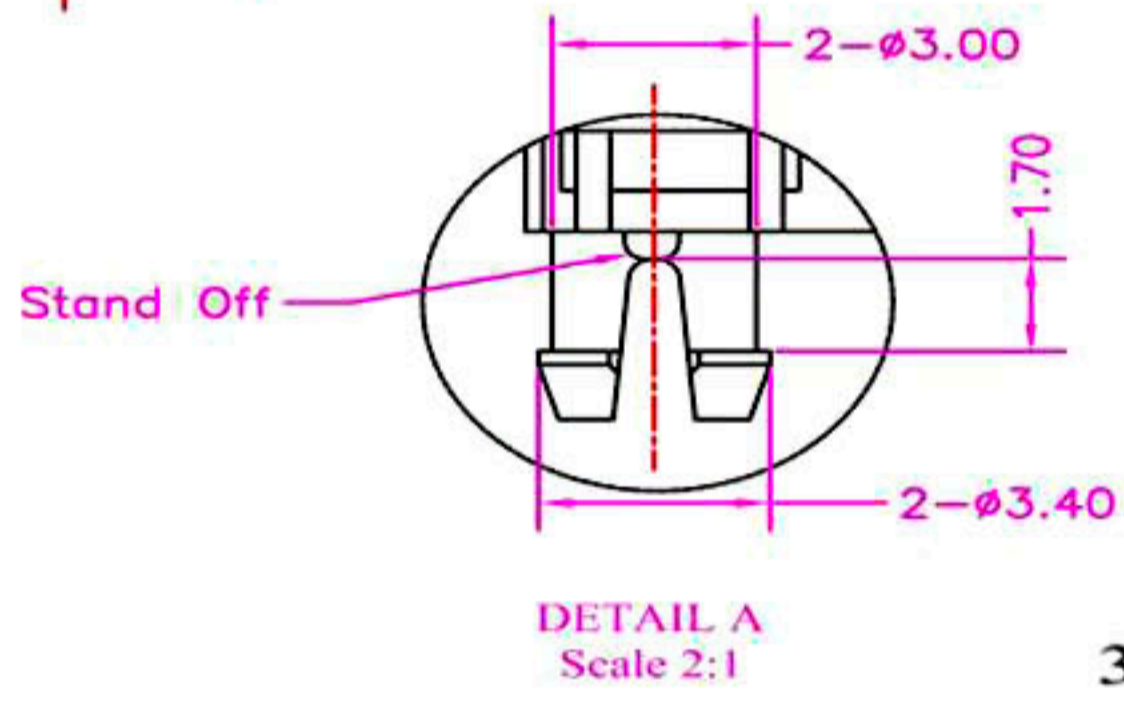
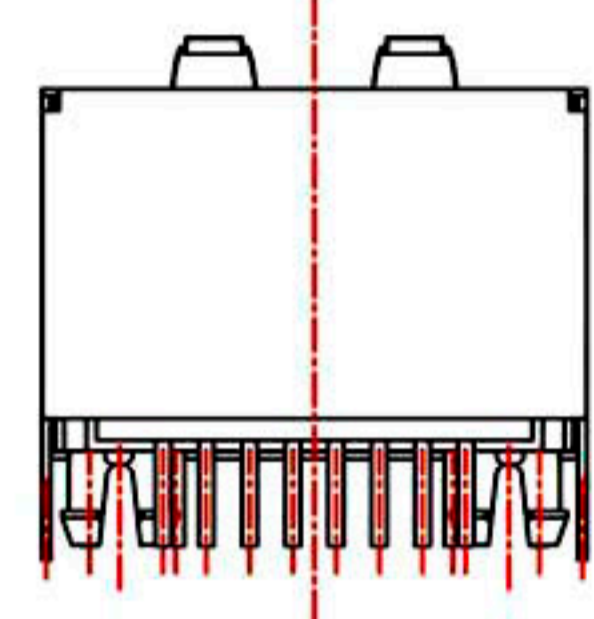
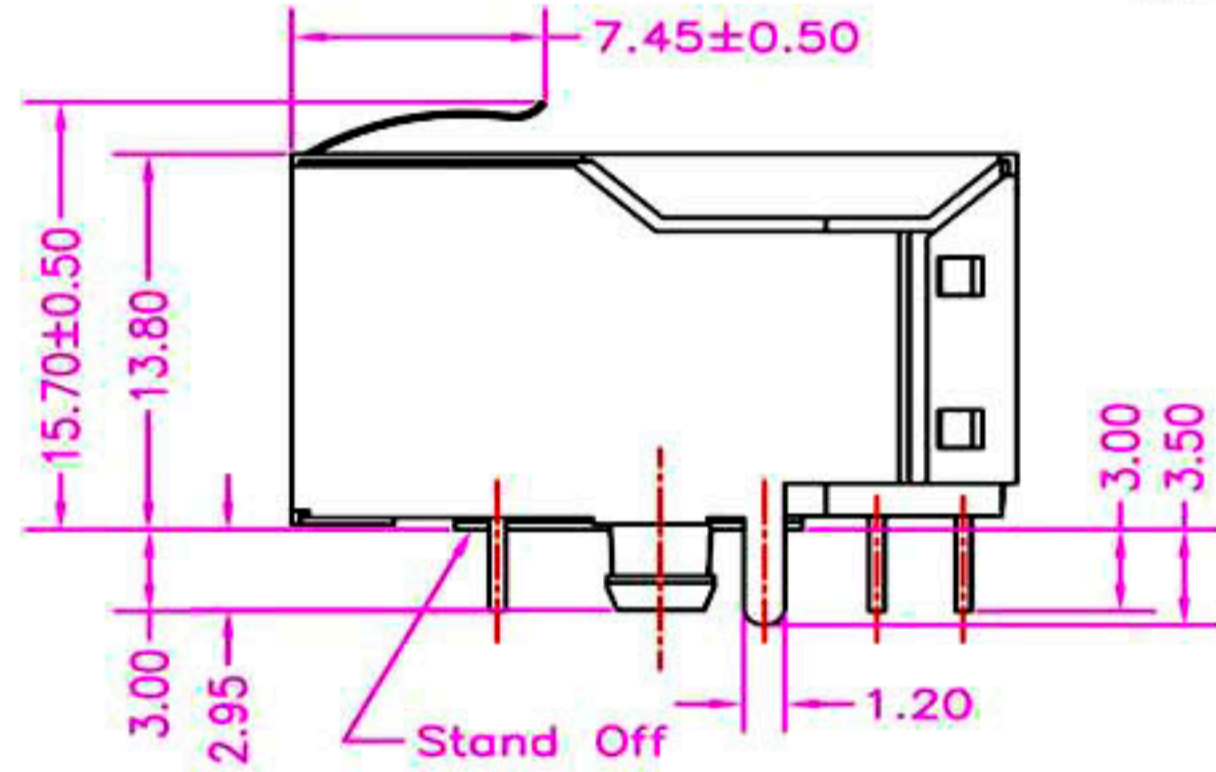
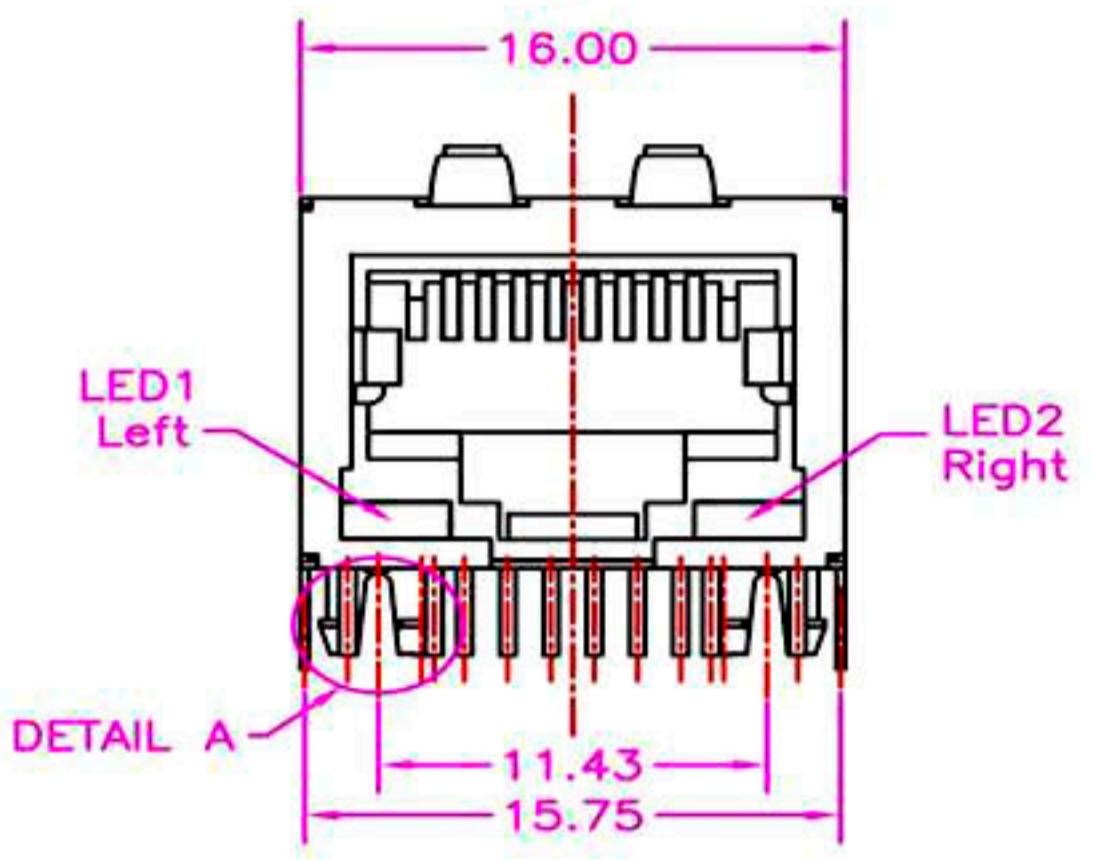
1 2 3 4 5 6 7 8

A  
B  
C  
D  
E  
F  
G  
H

A  
B  
C  
D  
E  
F  
G  
H



TOLERANCE:  $\pm 0.05$  THICKNESS: 1.50~1.60mm  
RECOMMENDED PCB LAYOUT/ Top View



3. Specification:
- 3.1 Mating: AC 125V 1.5A.
  - 3.2 Contact resistance  $\leq 60m\Omega$ .  
After test:  $\leq 60m\Omega$ .
  - 3.3 Insulation resistance: (DC 500V)  
500M  $\Omega$ .  
After test:  $\geq 200M\Omega$ .
  - 3.4 Withstanding voltage: 500V AC.
  - 3.5 Mating force: 25N Max.
  - 3.6 Life test: 1000 cycles Min.
  - 3.7 Lead Soldering Temperature  $220\pm 5^\circ$

1. Material
- 1.1 Housing : See Part NO. Standard Color-Black
  - 1.2 Terminal : 0.45±0.10mm Round Pin Phos-Bronze
  - 1.3 Shell : 0.25±0.10mm Thickness Brass.

2. Finish
- 2.1 Contact: All Terminal Plated (See Part NO. u")
  - 2.2 Shell : 50u" Min Nickel Plated Overall.

<p>RoHS Compliant</p>		<p><b>HSM</b> 玄茂科技股份有限公司 HSUAN MAO TECHNOLOGY CO., LTD.</p>	
<p>APPD. 核准</p>		<p>TOLERANCE 容許公差</p> <p>.0 ± 0.5 .00 ± 0.3 ANG. ± 3°</p>	<p>PART NAME 品名</p> <p>LED JACK 8P8C WITH LED (LEFT:YELLOW / RIGHT:GREEN) SKYLIGHT TYPE LATCH ON THE DOWN SIDE ROUND PIN BLACK COLOR ROHS</p>
<p>DWG. 製圖</p> <p>Helen</p>	<p>SCALE 比例</p> <p>參考</p>	<p>UNIT 單位</p> <p>MM</p>	<p>PART NO. 料號</p> <p>C0086-88AYXB00R</p>
<p>DATE 制表日</p> <p>2013/6/7</p>	<p>PAGE 張數</p> <p>1 OF 1</p>	<p>REV. 版本</p> <p>B</p>	

1 2 3 4 5 6 7 8