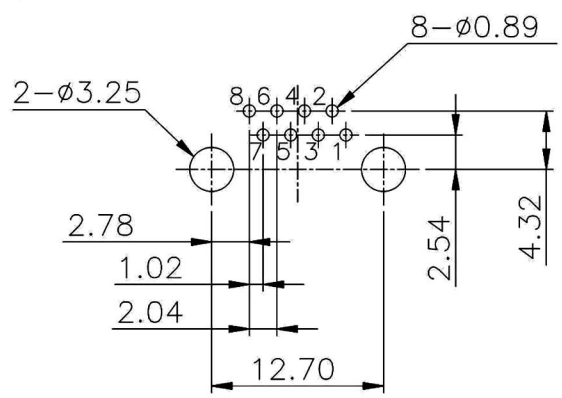
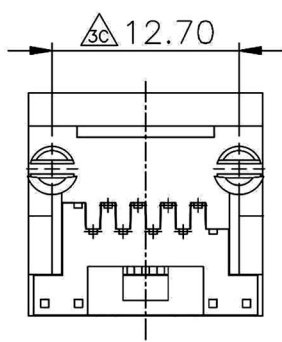
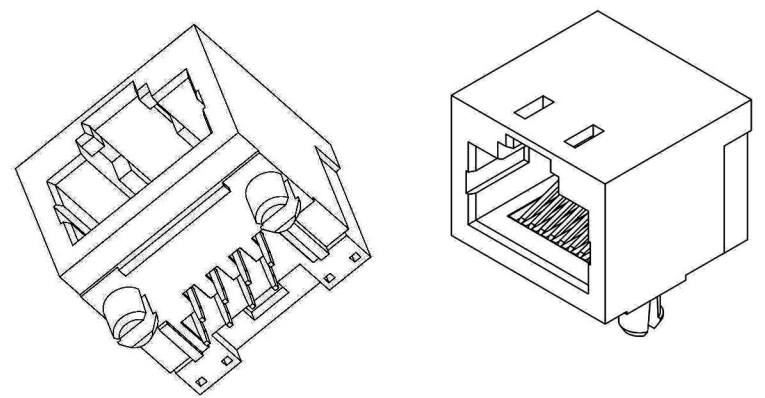
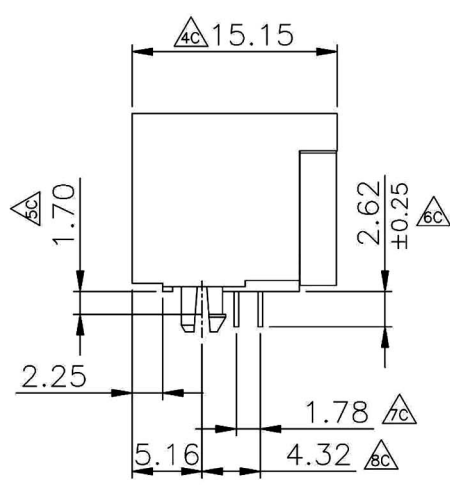
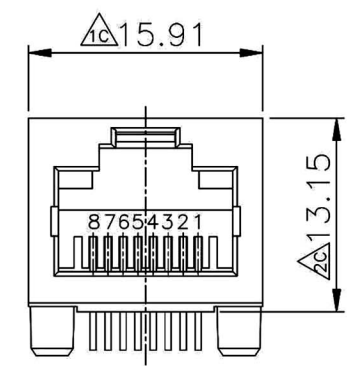


1 2 3 4 5 6 7 8

A
B
C
D
E
F
G
H

A
B
C
D
E
F
G
H



P.C.B LAYOUT/TOP VIEW

MATERIALS:
 PLASTIC HOUSING: ENGINEERING THERMOPLASTIC
 FLAMMABILITY RATING UL 94V-0.
 CONTACTS: PHOSPHOR BRONZE
 PLATING: GOLD PLATING OVER NICKEL IN CONTACT.
 TIN PLATING OVER NICKEL IN SOLDER AREA.
ENVIRONMENTAL:
 OPERATING TEMPERATURE: 0°C TO +70°C.
 STORAGE TEMPERATURE: -40°C TO +80°C.

RoHS Compliant		HSM 玄茂科技股份有限公司 HSUAN MAO TECHNOLOGY CO., LTD.	
APPD. 核准		TOLERANCE 容許公差	PART NAME 品名
DWG. 製圖	SCALE 比例	SIZE. 紙張尺寸	SIDE ENTRY PCB JACK 8P8C UP LATCH TYPE W/O SHIELDED SELECTIVE GOLD XU* FLAT PIN BLACK INSULATOR ROHS
DATE 制表日 2011/11/24	UNIT 單位	REV. 版次	PART NO. 料號
Hedy	M M	A 4	C0085-88NXB000R
PAGE 張數	1 / 1	B	

1 2 3 4 5 6 7 8