

P.C.B LAYOUT/TOP VIEW

MATERIALS:

PLASTIC HOUSING: ENGINEERING THERMOPLASTIC
 FLAMMABILITY RATING UL 94V-0.

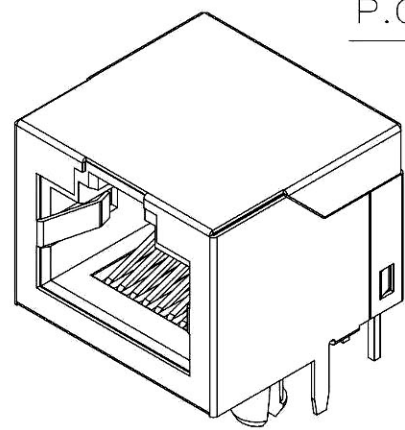
CONTACTS: PHOSPHOR BRONZE

PLATING: GOLD PLATING OVER NICKEL IN CONTACT.
 TIN PLATING OVER NICKEL IN SOLDER AREA.

SHIELD: BRASS PLATING NICKEL ALLOY.

ENVIRONMENTAL:

OPERATING TEMPERATURE: 0°C TO +70°C.
 STORAGE TEMPERATURE: -40°C TO +80°C.



RoHS Compliant		HSM 玄茂科技股份有限公司 HSUAN MAO TECHNOLOGY CO., LTD.	
APPD. 核准 HELEN		TOLERANCE : .xxx ±0.10 .xx ±0.25 .x ±0.38 X ±0.50 ANG ±3°	PART NAME 品名 SIDE ENTRY PCB JACK 10P10C UP LATCH TYPE W/ SHIELDED W/O TABS FLAT PIN BLACK INSULATOR ROHS
DWG. 製圖 HELEN	SCALE 比例 參 考	UNIT 單位 M M	PART NO. 料 號 C0085-00YXB001R
DATE 制表日 2010/2/4	PAGE 張數 1 OF 1	SIZE 紙張尺寸 A 4	