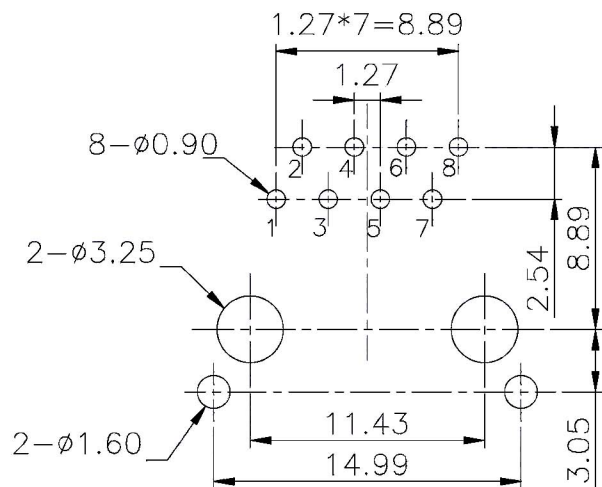
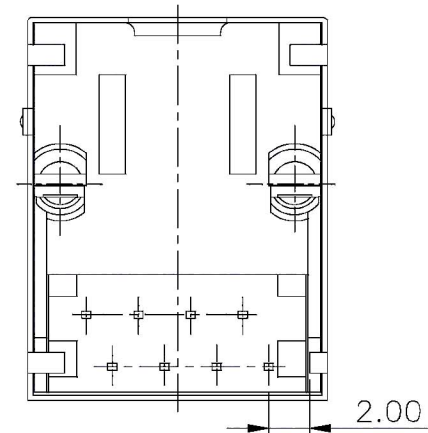


MATERIALS:
 PLASTIC HOUSING: ENGINEERING THERMOPLASTIC
 FLAMMABILITY RATING UL 94V-0.
 CONTACTS: PHOSPHOR BRONZE
 PLATING: GOLD PLATING OVER NICKEL IN CONTACT.
 TIN PLATING OVER NICKEL IN SOLDER AREA.
 SHIELDED: BRASS WITH NICKEL PLATED



PCB LAYOUT/TOP VIEW

RoHS Compliant		HSM 玄茂科技股份有限公司	
		HSUAN MAO TECHNOLOGY CO., LTD.	
APPD. 核准		TOLERANCE .XXX ±0.10 XX ±0.25 .X ±0.38 X ±0.50 ANG ±3°	PART NAME 品名
DWG. 製圖	Hedy	SCALE 比例 參考	SIDE ENTRY PCB JACK 8P8C DIP W/ SHIELDED BLACK INSULATOR ROHS
DATE 制表日	2013/05/27	UNIT 單位 MM	PART NO.
		PAGE 張數 1 / 1	料號 C0082-88YXB000R
		REV. 版本 A	