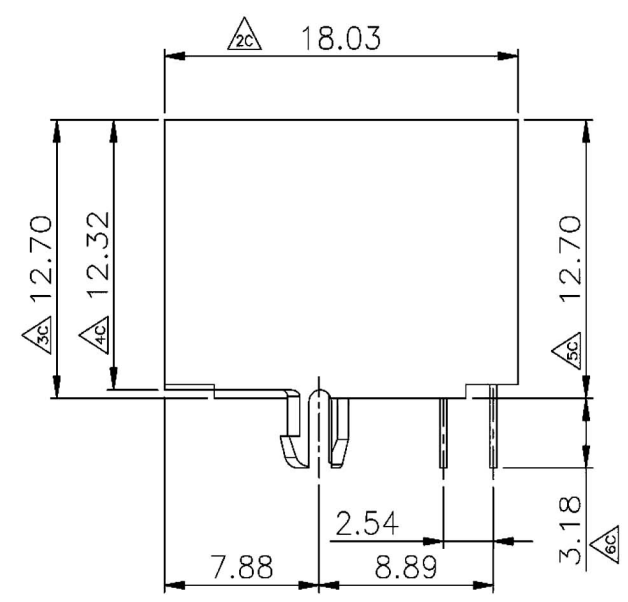
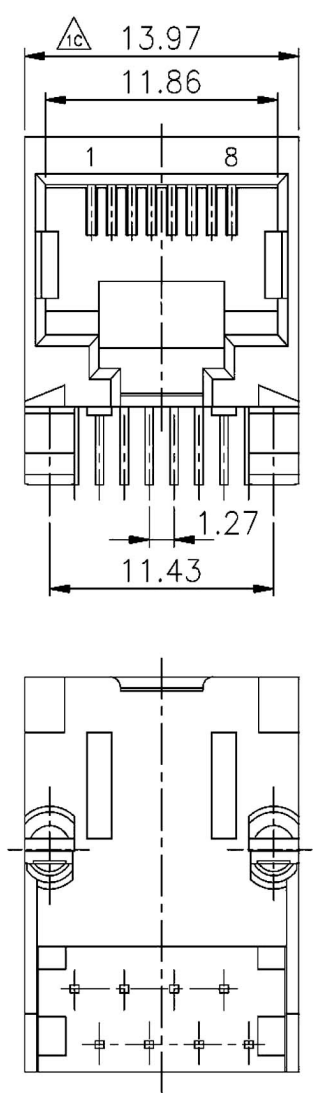


1 2 3 4 5 6 7 8

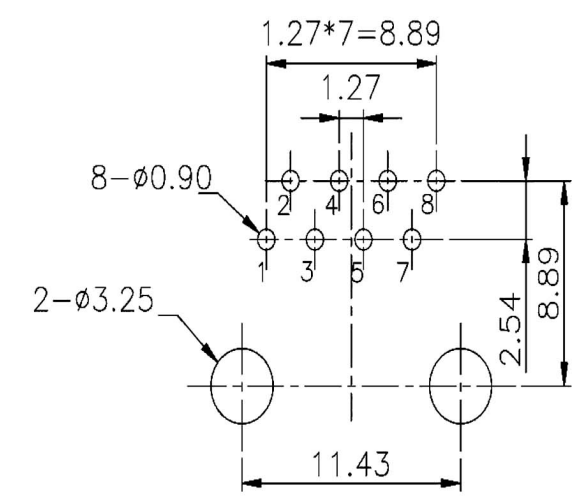
A
B
C
D
E
F
G
H

A
B
C
D
E
F
G
H



MATERIALS:
 PLASTIC HOUSING: ENGINEERING THERMOPLASTIC
 FLAMMABILITY RATING UL 94V-0.
 CONTACTS: PHOSPHOR BRONZE
 PLATING: GOLD PLATING OVER NICKEL IN CONTACT.
 TIN PLATING OVER NICKEL IN SOLDER AREA.

PCB LAYOUT/TOP VIEW



RoHS Compliant		HSM 玄茂科技股份有限公司 HSUAN MAO TECHNOLOGY CO., LTD.	
APPD. 核准 Betty	SCALE 比例 参考	容許公差 TOLERANCE .XXX ±0.10 .XX ±0.25 .X ±0.38 X ±0.50 ANG ±3°	PART NAME 品名 SIDE ENTRY PCB JACK 8P8C DIP TYPE WITHOUT SHIELDED BLACK INSULATOR ROHS
DWG. 製圖 Betty	UNIT 單位 MM	SIZE 紙張尺寸 A 4	PART NO. 料號 C0082-88NXB000R
DATE 製表日 2013/02/22	PAGE 張數 1 OF 1	REV. 版次 A	

1 2 3 4 5 6 7 8