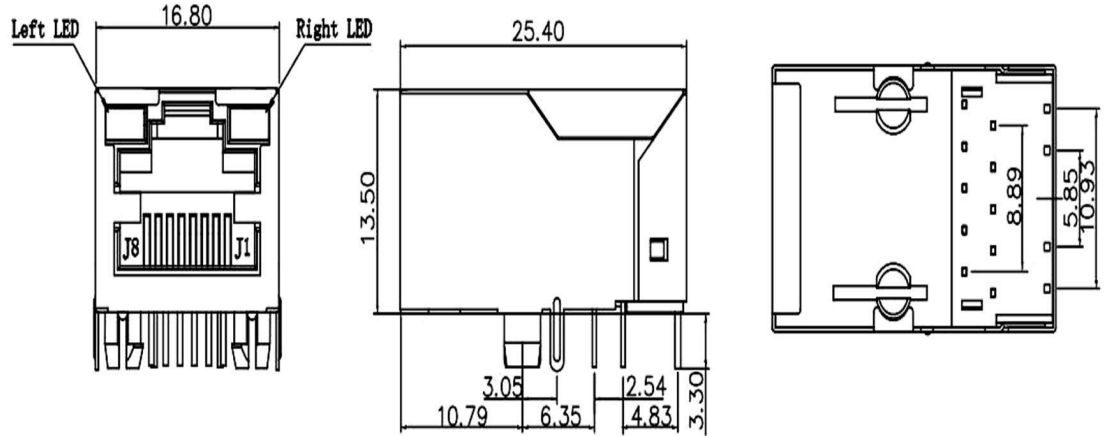
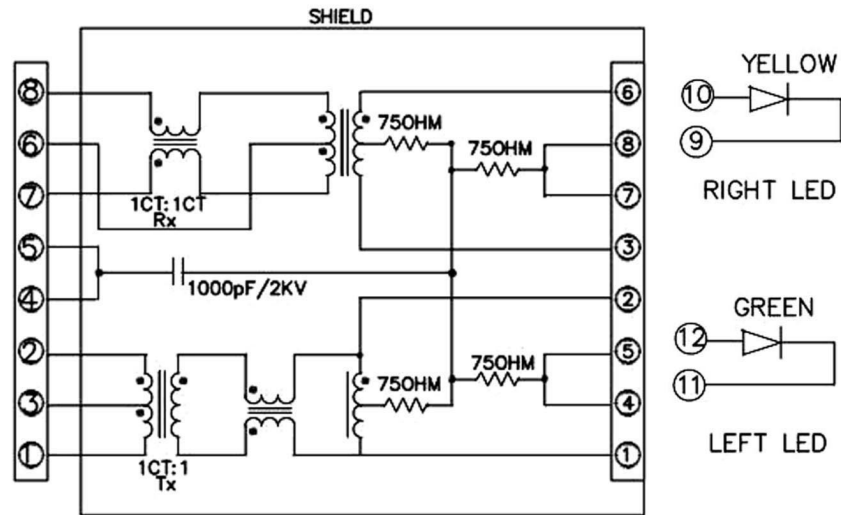


ELECTRICAL SPECIFICATIONS@25°C UNLESS OTHERWISE NOTED:

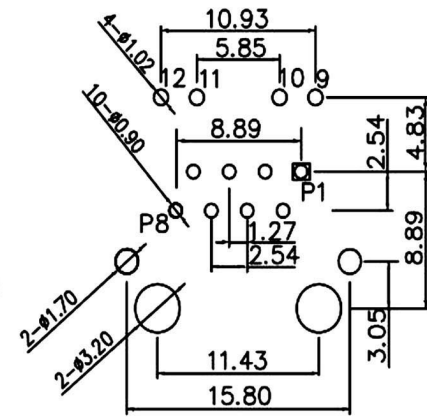
1. Turn Ratio(+/-2%): 1CT:1CT
2. Inductance OCL: 350uH Min @100KHz/0.1V DC BIAS 8mA
3. Insertion Loss:
  - 1.0dB Max @1.0-100MHz
4. Return Loss:
  - 20dB Min @1-30MHz
  - 16dB Min @30-60MHz
  - 12dB Min @60-80MHz
5. Cross talk:
  - 40dB Min @1-30MHz
  - 35dB Min @30-60MHz
6. Common Mode Rejection:
  - 30dB Min @1-50MHz
  - 20dB Min @50-150MHz
7. HIPOT TEST: 1500Vrms 1mA MAX
8. OPERATING TEMPERATURE RANGE: 0-70°C
9. STORAGE TEMPERATURE RANGE: -40~+80°C

SCHMATICS



Connect Material:

Housing: Thermoplastic, PBT, UL 94V-0, Black  
 Contact/Shield: Cooper alloy  
 Shield Plating: Nickel  
 Contact Plating: Selective gold 6u" Min  
 Current rating: 100mA Max For signal Pairs  
 Voltage rating: 48VDC For Signal Pairs  
 Insulation resistance: 500MΩ Min  
 Contact resistance: 50mΩ Max  
 Dielectric Withstanding voltage: 1000VAC 0.5mA 60S  
 Operating Temperature Range: 0°C~+70°C



P.C.B RECOMMENDED HOLE LAYOUT SEEN FROM COMPONENT SIDE.  
 ALL CENTERLINE DIMENSIONS ARE BASIC

RoHS Compliant		HSM 玄茂科技股份有限公司 HSUAN MAO TECHNOLOGY CO., LTD.	
APPD. 核准	SCALE 比例 参考	TOLERANCE 容許公差 .0 ± 0.30 .00 ± 0.20 ANG. ± 3°	PART NAME 品名 RJ45 TRANSFORMER PCB JACK LATCH ON THE UP SIDE WITH FULLY SHIELDED (BEHIND PEG 3.05mm) W/O TABS SELECTIVE GOLD 6U" PLATING FLAT PIN BLACK COLOR ROHS
DWG. 製圖 Betty	UNIT 單位 M M	SIZE. 紙張尺寸 A 4	PART NO.
DATE 制表日 2015/07/20	PAGE 張數 1 OF 1	REV. 版次 A	料號 C0081-88AYQB04R