

P. C. B RECOMMENDED HOLE LAYOUT SEEN FROM COMPONENT SIDE.
ALL CENTERLINE DIMENSIONS ARE BASIC

Connect Material:

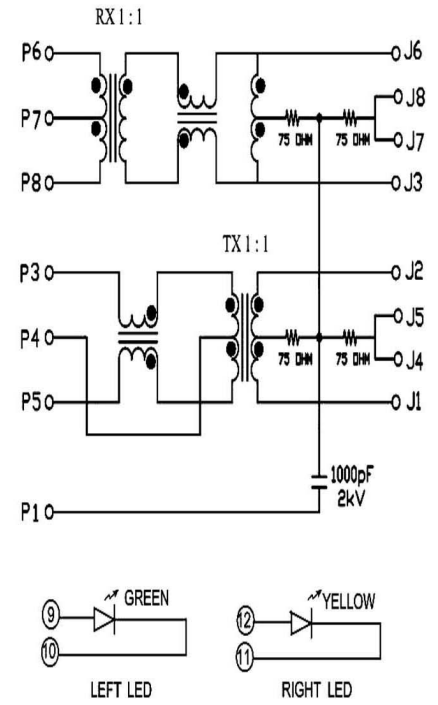
Housing:Thermoplastic,PBT,UL 94V-0,Black
Contact/Shield:Cooper alloy
Shield Plating:Nickel
Contact Plating:Selective gold 6u" Min

Current rating: 100mA Max For signal Pairs
Voltage rating: 48VDC For Signal Pairs
Insulation resistance: 500MΩ Min
Contact resistance: 50mΩ Max
Dielectric Withstanding voltage: 1000VAC 0.5mA 60S
Operating Temperature Range:0°C~+70°C

ELECTRICAL SPECIFICATIONS@25°C UNLESS OTHERWISE NOTED:

- 1.Turn Ratio(+/-2%): 1CT:1CT
- 2.Inductance OCL: 350uH Min @100KHz/0.1V DC BIAS 8mA
- 3.Insertion Loss:
-1.0dB Max @1.0-100MHz
- 4.Return Loss:
-20dB Min @1-30MHz
-16dB Min @30-60MHz
-12dB Min @60-80MHz
- 5.Cross talk:
-40dB Min @1-30MHz
-35dB Min @30-60MHz
-30dB Min @60-100MHz
- 6.Common Mode Rejection:
-30dB Min @1-50MHz
-20dB Min @50-150MHz
- 7.HIPOT TEST:1500Vrms 1mA MAX
- 8.OPERATING TEMPERATURE RANGE:0-70°C

SCHEMATICS



RoHS Compliant		HSM 玄茂科技股份有限公司 HSUAN MAO TECHNOLOGY CO., LTD.	
APPD. 核准 Betty	SCALE 比例 参考	TOLERANCE 容許公差 .0 ± 0.30 .00 ± 0.20 ANG. ± 3°	PART NAME 品名 RJ45 TRANSFORMER PCB JACK WITH FULLY SHIELDED SELECTIVE GOLD 6U" PLATING WITHOUT TABS WITH LED (LEFT:GREEN/RIGHT:YELLOW) ROHS
DWG. 製圖 Betty	UNIT 單位 M M	SIZE. 紙張尺寸 A 4	PART NO. C0081-88AYQB03R
DATE 制表日 2013/05/21	PAGE 張數 1 OF 1	REV. 版次 B	料號