

1 2 3 4 5 6 7 8

A

B

C

D

E

F

G

H

A

B

C

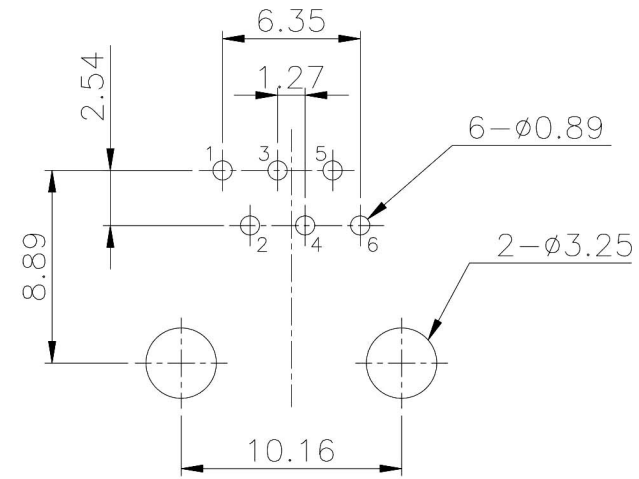
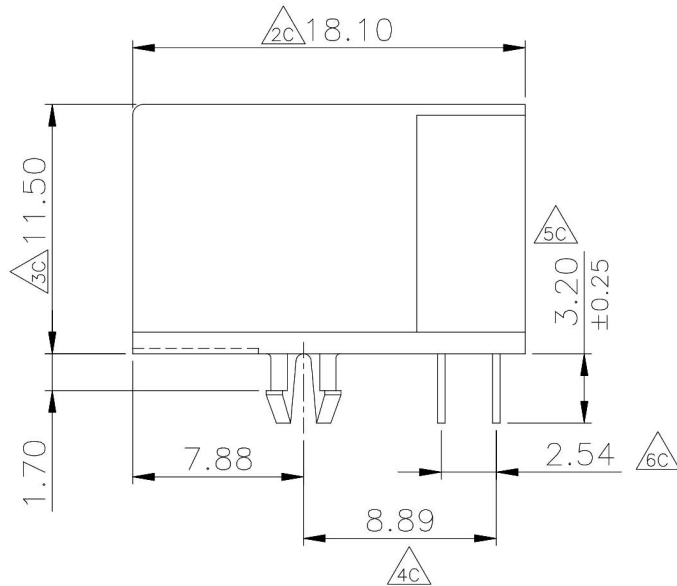
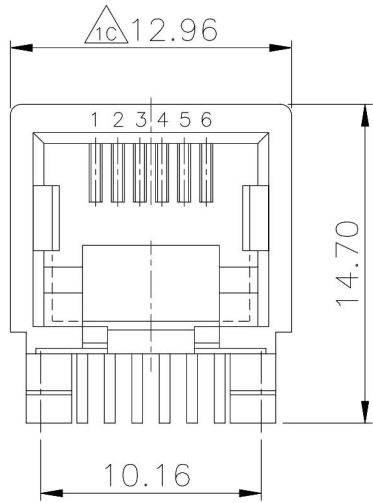
D

E

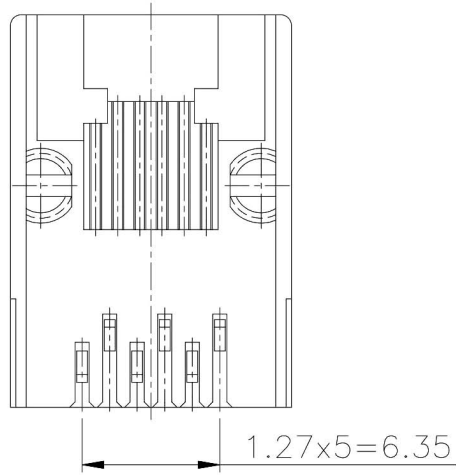
F

G

H



PCB LAYOUT/TOP VIEW



MATERIALS:

PLASTIC HOUSING: ENGINEERING THERMOPLASTIC
 FLAMMABILITY RATING UL 94V-0.

CONTACTS: PHOSPHOR BRONZE

PLATING: GOLD PLATING OVER NICKEL IN CONTACT.
 TIN PLATING OVER NICKEL IN SOLDER AREA.

RoHS Compliant		HSM 玄茂科技股份有限公司 HSUAN MAO TECHNOLOGY CO., LTD.	
APPD. 核准 HELEN		TOLERANCE 容許公差 .XXX ±0.10 .XX ±0.25 X ±0.38 ANG ±3°	PART NAME 品名 SIDE ENTRY PCB DIP JACK 6P6C W/O SHIELDED W/SPLIT FOOT BLACK INSULATOR ROHS
DWG. 製圖 ABBY	SCALE 比例 參考	UNIT 單位 M M	PART NO. 料號 C0077-66PPXB00R
DATE 制表日 2015/06/15	PAGE 張數 1 OF 1	SIZE 紙張尺寸 A 4	
		REV. 版次 A	

1 2 3 4 5 6 7 8