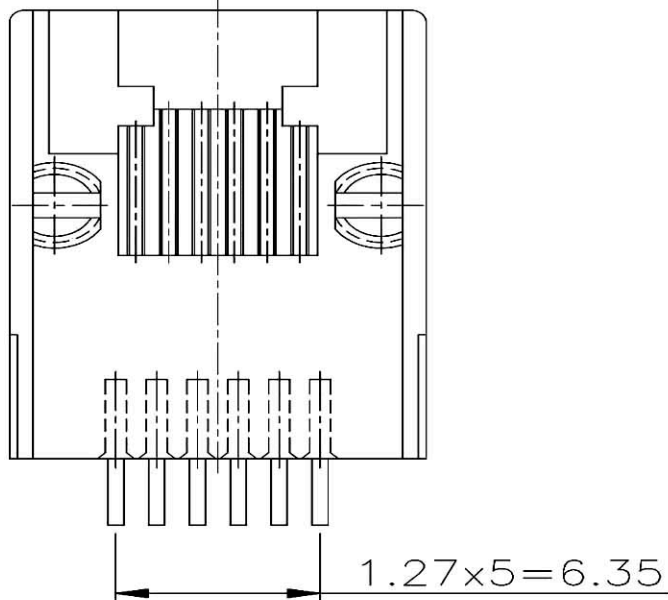


PCB LAYOUT/TOP VIEW



**MATERIALS:**

PLASTIC HOUSING: HIGH TEMP. THERMOPLASTIC

FLAMMABILITY RATING UL 94V-0.

CONTACTS: PHOSPHOR BRONZE

PLATING: GOLD PLATING OVER NICKEL IN CONTACT.

TIN PLATING OVER NICKEL IN SOLDER AREA.

RoHS Compliant		<b>HSM</b> 玄茂科技股份有限公司 HSUAN MAO TECHNOLOGY CO., LTD.	
APPD. 核准	SCALE 比例 参考	TOLERANCE 容許公差	PART NAME 品名
DWG. 製圖 Helen		0 ± 0.35 .00 ± 0.25 ANG. ± 3°	SIDE ENTRY PCB SMT JACK 6P6C W/O SHIELDED W/SPLIT FOOT BLACK INSULATOR ROHS
DATE 制表日	UNIT 單位 M M	SIZE 板張尺寸 A 4	PART NO.
2016/5/20	PAGE 張數 1 OF 1	REV. 版本 A	料號 C0077-66DPXB00R