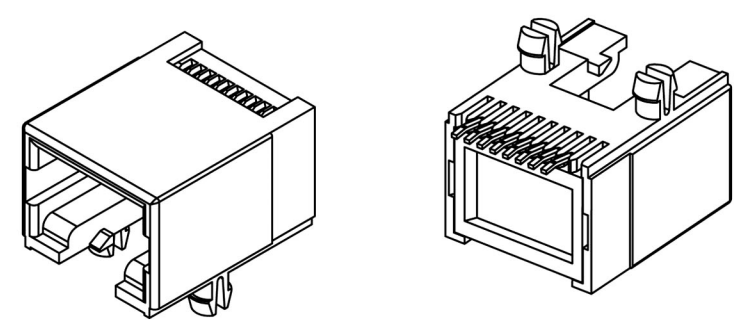


2. Material
 - 2.1 Housing : See Part NO.
 - 2.2 Terminal : 0.35±0.10mm Thickness Phosphor Bronze
- 3.Finish
 - 3.1 Contact: AU On Contact Area(See Part NO. "u")
,Solder Area Sn 80u" Min,Nickel Plating 50u" Min.
4. Specification:
 - 4.1 Mating:AC 125V 1.5A.
 - 4.2 Contact resistance ≤60m Ω .
After test: ≤60m Ω .
 - 4.3 Insulation resistance:(DC 500V)
500M Ω .
After test: ≥200M Ω .
 - 4.4 Withstanding voltage:500V AC.
 - 4.5 Mating force:25N Max.
 - 4.6 Life test:1000 cycles Min.
 - 4.7 Lead Soldering Temperature
Housing Material PBT= 220±5°
Housing Material 9T= 260±5° 10s



RoHS Compliant		HSM 玄茂科技股份有限公司 HSUAN MAO TECHNOLOGY CO., LTD.	
DWG. 製圖 Hedy		PART NAME 品名 SIDE ENTRY PCB SMT JACK 10P8C W/O SHIELDED W/SPLIT FOOT FLAT PIN BLACK INSULATOR ROHS	
DATE 制表日 2013/06/06		PART NO. 料號 C0077-08DPXB00R	
UNIT 單位 MM		SIZE. 紙張尺寸 A 4	
PAGE 張數 1 / 1		REV. 版次 A	