

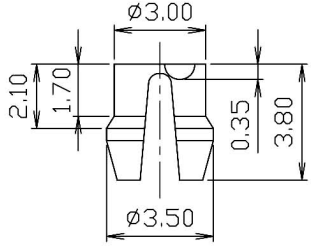
TOLERANCES UNLESS OTHERWISE NOTED		INCH	MM
LINEAR	MM	00 ±	0.0 ± 0.25
		000 ±	0.00 ± 0.20
	INCH	0000 ±	0.000 ± 0.10
ANGLE	± 0° 30'	RADII	+ 0.40 - 0.15

- MATERIAL:**
- HOUSING-PBT POLYESTER UL94V-0 MIXED GLASS FIBER, STANDARD COLOR-BLACK
  - CONTACTS-0.35mm THICK PHOS-BRONZE WITH HARD GOLD AND TIN/LEAD PLATED IN SOLDER AREA.
  - SHIELD-0.25mm THICK COPPER ALLOY, PLATED WITH NICKEL.

CAVITY CONFIRMS TO FCC RULES AND REGULATIONS PART 68,SUBPART F.

**PCB LAYOUT**  
Ref.

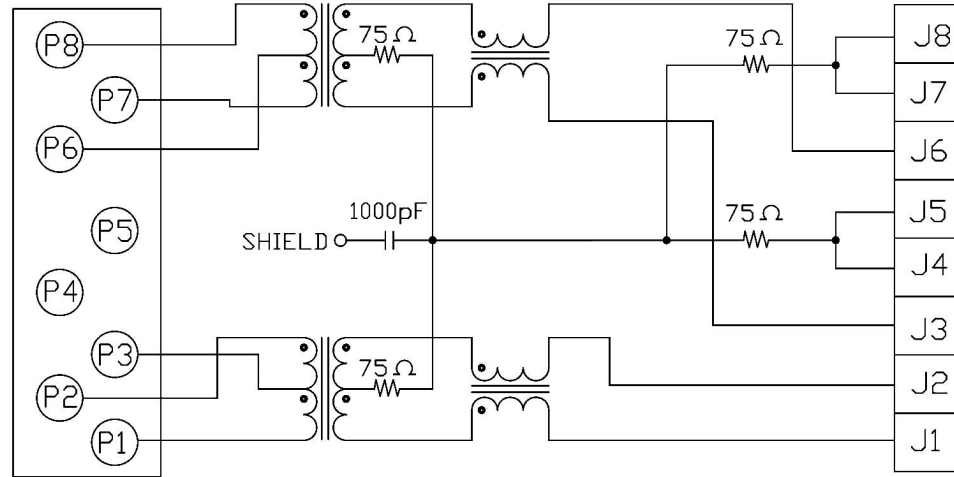
<b>RoHS Compliant</b>		<b>HSM 玄茂科技股份有限公司</b> <b>HSUAN MAO TECHNOLOGY CO., LTD.</b>	
APPD. 核准 DWG. 製圖 DATE 制表日 <b>2018/04/13</b>	SCALE 比例 UNIT 單位 PAGE 張數 <b>Betty</b> <b>MM</b> <b>1 OF 2</b>	TOLERANCE 容許公差 .0 ± .00 ± ANG. ± SIZE. 紙張尺寸 <b>A 4</b> REV. 版次 <b>A</b>	PART NAME 品名 <b>RJ45 TRANSFORMER PCB 4 JACKS WITH FULLY SHIELDED WITH TAB BLACK COLOR ROHS</b> PART NO. 料號 <b>C0072-88DYXB03R</b>



**DETAIL Y**

CONNECTOR SOLDER SIDE

RJ45 CONTACT SIDE



CONNECTOR SCHEMATIC

TOLERANCES UNLESS OTHERWISE NOTED	INCH	MM
LINEAR	$\frac{\text{MM}}{\text{INCH}}$	$00 \pm 0.25$ $000 \pm 0.20$ $0000 \pm 0.10$
ANGLE $\pm 0^\circ 30'$	RADII	$\pm 0.40$ $\pm 0.15$

Specification :

Item	Parameter	Condition	Min.	Typ.	Max.	Unit	REMARK
1	Insertion loss	1-100 MHz			-1	dB	
2	Return loss	1-30 MHz	-20			dB	
		30-60 MHz	-15			dB	
2	Return loss	60-80 MHz	-11			dB	
		1-100 MHz	-30			dB	
3	Crosstalk	1-100 MHz	-30			dB	
4	Hipot	Vrms	1.5			kV	
5	Primary Inductance @100KHz, 0.1Vrms, 8mA	(1-2),(3-6)	350			$\mu\text{H}$	

RoHS Compliant

**HSM** 玄茂科技股份有限公司  
HSUAN MAO TECHNOLOGY CO., LTD.

APPD. 核准  
Betty  
DATE 制表日  
2018/04/13

SCALE 比例 参考  
UNIT 單位 MM  
PAGE 張數 2 OF 2  
TOLERANCE 容許公差  
SIZE 紙張尺寸 A 4  
REV. 版次 A

PART NAME 品名  
RJ45 TRANSFORMER PCB 4 JACKS WITH FULLY SHIELDED WITH TAB BLACK COLOR ROHS  
PART NO. 料號  
C0072-88DYXB03R