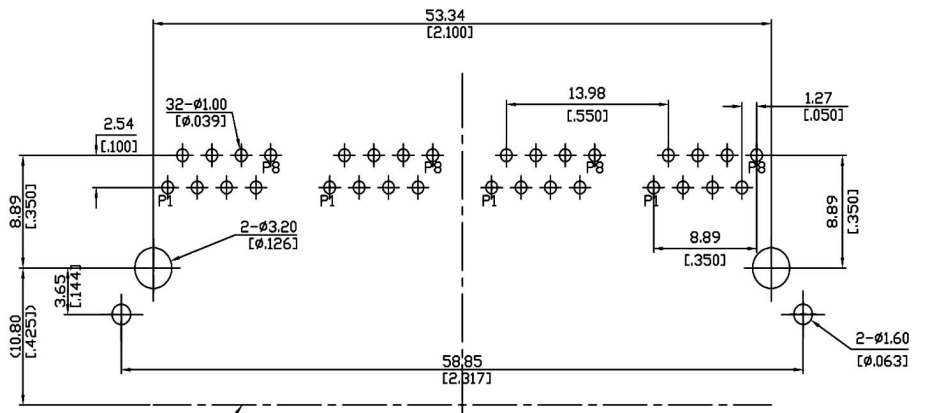
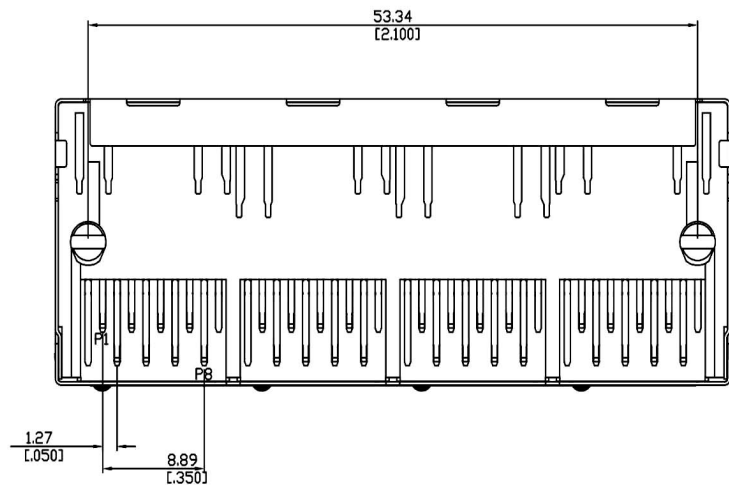
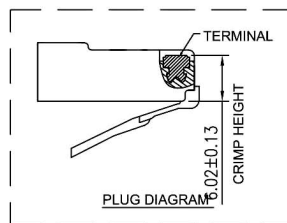


- Material:**
- 1.Housing: Thermoplastic UL 94V-0
 - 2.Contact : Selective Gold Plating
 - 3.Terminal: 0.35mm Thickness Copper Alloy Plated With Gold And Tin In Solder Area.
 - 4.Shielded: Copper Alloy ,Nickel Plating
 - 5.Operating Temperature Range : 0°C~70°C

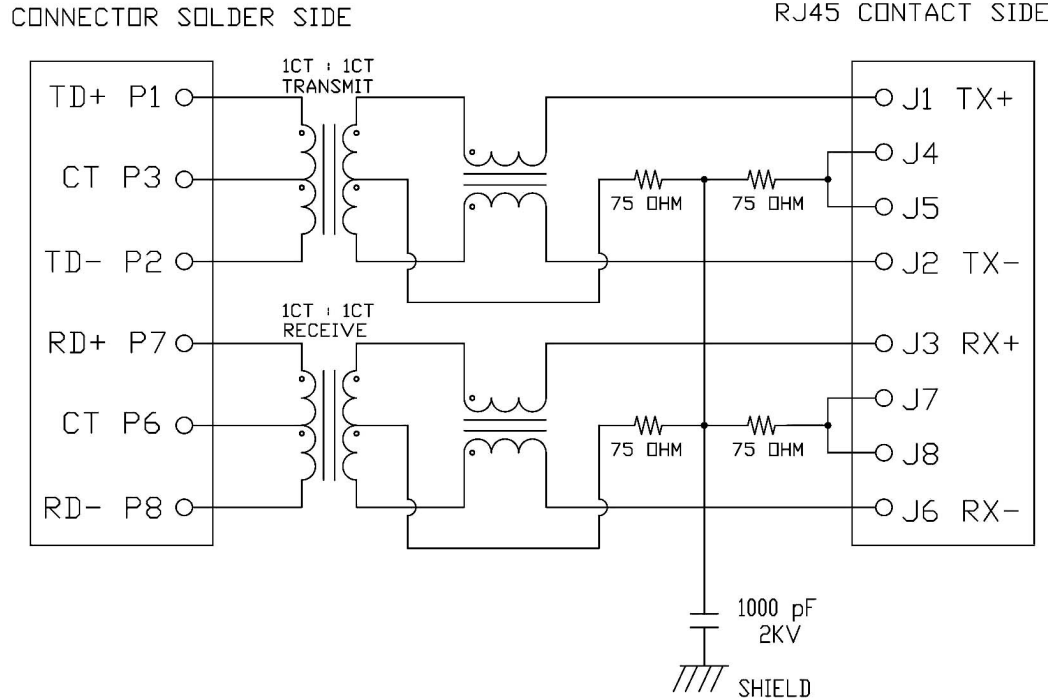


RECOMMENDED PCB LAYOUT
TOP VIEW



RoHS Compliant		HSM 玄茂科技股份有限公司 HSUAN MAO TECHNOLOGY CO., LTD.	
APPD. 核准	SCALE 比例 参考	TOLERANCE 0.000mm ± 0.15mm 0.00mm ± 0.25mm 0.0mm ± 0.35mm	PART NAME 品名 RJ45 TRANSFORMER PCB 4 JACKS WITH FULLY SHIELDED SELECTIVE GOLD PLATING BLACK COLOR ROHS
DWG. 製圖 Betty	UNIT 單位 M M	SIZE. 紙張尺寸 A 4	PART NO. 料號 C0072-88DYSB04R
DATE 制表日 2018/04/20	PAGE 張數 1 OF 2	REV. 版次 A	

SCHEMATIC:



ELECTRICAL CHARACTERISTICS :

- Test Notes:(25±5°C)
- 1.TR:(100KHz,0.1V):
 Pins:(P1-P2):(J1-J2)=1:1±3%
 Pins:(P7-P8):(J3-J6)=1:1±3%
 - 2.LX:(100KHz,100mV,8mA, DC Bias)
 Pins:(P1-P2),(P7-P8)=350uH Minimum
 - 3.DCR:
 Pins:(J1-J2),(J3-J6)=1.2 Ω Maximum
 - 4.HIPOT:
 Pins:(P1,P2) To (J1,J2)=1500VAC 60s or 2250VDC 60s
 Pins:(P7,P8) To (J3,J6)=1500VAC 60s or 2250VDC 60s
 - 5.INSERTION LOSS:
 -1.0dB Maximum At 1MHz To 100MHz
 - 6.RETURN LOSS:
 -18dB Minimum At 1MHz To 30MHz,load 100 Ω;
 -16dB Minimum At 30MHz To 60MHz,load 100 Ω;
 -12dB Minimum At 60MHz To 80MHz,load 100 Ω.
 - 7.CROSS TALK:
 -30dB Minimum At 1MHz To 100MHz
 - 8.COMMON TO COMMON MODE REJECTION:
 -30dB Minimum At 1MHz To 100MHz

RoHS Compliant		玄茂科技股份有限公司 HSUAN MAO TECHNOLOGY CO., LTD.	
APPD. 核准		TOLERANCE	PART NAME 品名
DWG. 製圖	Betty	SCALE 比例 參考	RJ45 TRANSFORMER PCB 4 JACKS
DATE 制表日	2018/04/20	UNIT 單位 M M	WITH FULLY SHIELDED SELECTIVE GOLD PLATING BLACK COLOR ROHS
		PAGE 張數 2 OF 2	PART NO. 料號
			C0072-88DYSB04R