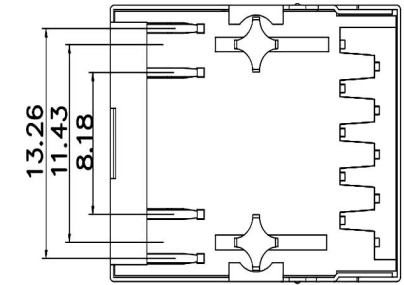
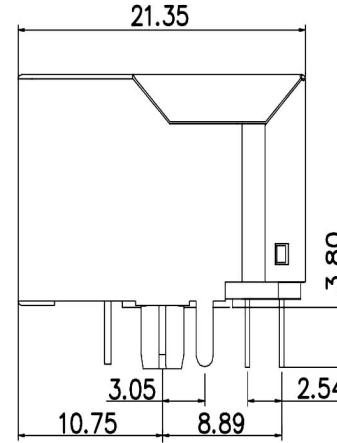
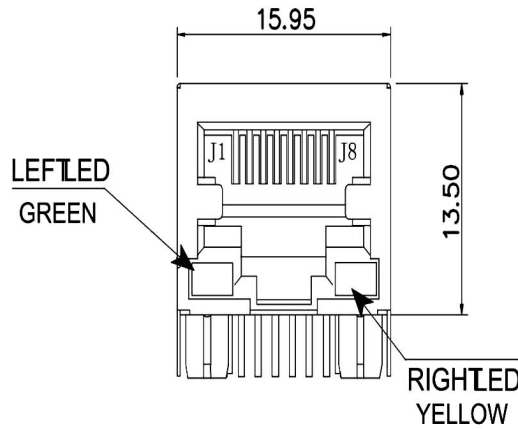


Connect Material:

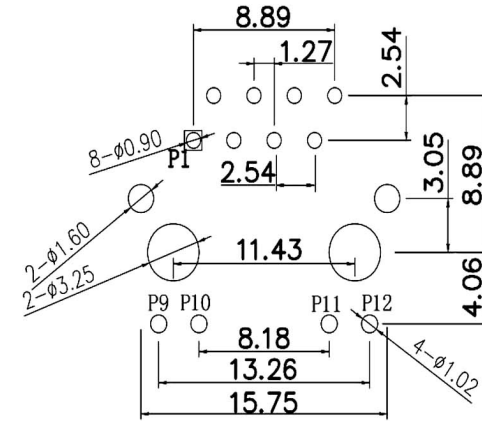
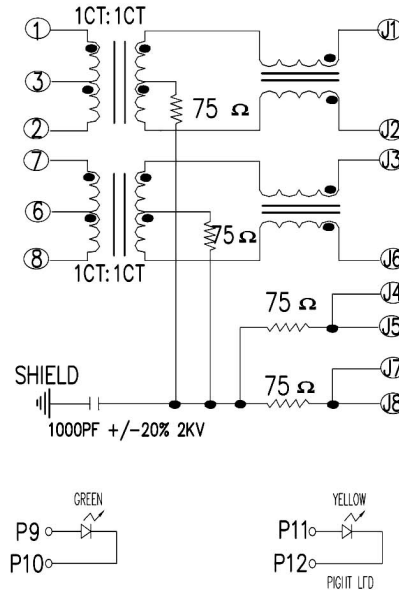
Housing:Thermoplastic,PBT,UL 94V-0,Black
 Contact/Shield:Cooper alloy
 Shield Plating:Nickel
 Contact Plating:Selective gold 6u" Min



ELECTRICAL SPECIFICATIONS@25°C UNLESS OTHERWISE NOTED:

- 1.Turn Ratio(+/-2%): 1CT:1CT
- 2.Inductance OCL: 350uH Min @100KHz/0.1V DC BIAS 8mA
- 3.Insertion Loss:
-1.0dB Max @1.0-100MHz
- 4.Return Loss:
-20dB Min @1-30MHz
-16dB Min @30-60MHz
-12dB Min @60-80MHz
- 5.Cross talk:
-40dB Min @1-30MHz
-35dB Min @30-100MHz
- 6.Common Mode Rejection:
-30dB Min @1-50MHz
-20dB Min @50-150MHz
- 7.HIPOT TEST:1500Vrms 1mA MAX
- 8.OPERA TING TEMPERATURE RANGE:0-70°C
- 9.STORAGE TEMPERATURE RANGE:-40~+80°C

SCHEMATICS



P. C. B RECOMMENDED HOLE LAYOUT SEEN FROM COMPONENT SIDE.
 ALL CENTERLINE DIMENSIONS ARE BASIC

RoHS Compliant		HSM 玄茂科技股份有限公司 HSUAN MAO TECHNOLOGY CO., LTD.	
APPD. 核准	SCALE 比例 参考	TOLERANCE 容許公差 .0 ± 0.30 .00 ± 0.20 ANG. ± 3°	PART NAME 品名 RJ45 TRANSFORMER PCB JACK W/FULLY SHIELDED FLAT PIN WITHOUT TABS WITH LED (LEFT:GREEN/RIGHT:YELLOW) BLACK COLOR ROHS
DWG. 製圖 Betty	UNIT 單位 M M	SIZE. 紙張尺寸 A 4	PART NO.
DATE 制表日 2018/05/31	PAGE 張數 1 OF 1	REV. 版次 A	料號 C0072-88AYXB14R