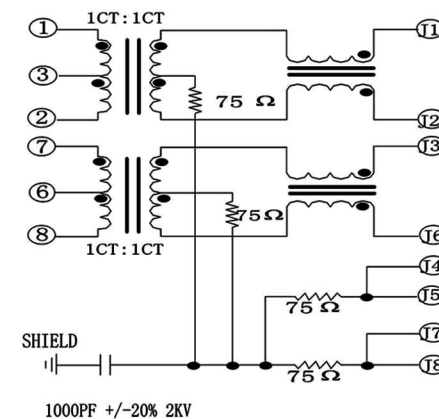


ELECTRICAL SPECIFICATIONS @ 25°C unless otherwise noted:

1. Turn Ratio(+/-2%):
TX=1CT :1CT RX=1CT:1CT
2. Inductance OCL:
350uH Min @100KHz/0.1V ,8mA DC Bias
3. Insertion Loss:
-1.0dB Max @1.0-100MHz
4. Return Loss:
-20dB Min @1-10MHz
-16dB Min @10-30MHz
-12dB Min @30-60MHz
-10dB Min @60-100MHz
5. Cross talk:
-40dB Min @1-30MHz
-35dB Min @30-60MHz
-30dB Min @60-100MHz
6. Common Mode Rejection:
-30dB Min @1-50MHz
-20dB Min @50-150MHz
7. HIPOT TEST :1500V AC 1mA 6S
8. OPERA TING TEMPERA TURE RANGE:0-70°C

Schematics



Connect Material:

- Housing:Thermoplastic, PBT, UL 94V-0, Black
- Contact/Shield:Cooper alloy
- Shield Plating:Nickel
- Contact Plating:Selective gold 30u" Min

P. C. B RECOMMENDED HOLE LAYOUT SEEN FROM COMPONENT SIDE.
ALL CENTERLINE DIMENSIONS ARE BASIC

RoHS Compliant		HSM 玄茂科技股份有限公司 HSUAN MAO TECHNOLOGY CO., LTD.	
APPD. 核准		TOLERANCE 容許公差	PART NAME 品名
DWG. 製圖 Hedy	SCALE 比例 參考	.xx +/-0.25, .xxx +/-0.13	RJ45 TRANSFORMER PCB JACK W/FULLY SHIELDED SELECTIVE GOLD 30U" OR 6U"BLACK W/O TABS ROHS
DATE 制表日 2013/09/03	UNIT 單位 MM	SIZE. 紙張尺寸 A 4	PART NO. 料號 C0072-88AYXB01R
	PAGE 張數 1 / 1	REV. 版次 A	