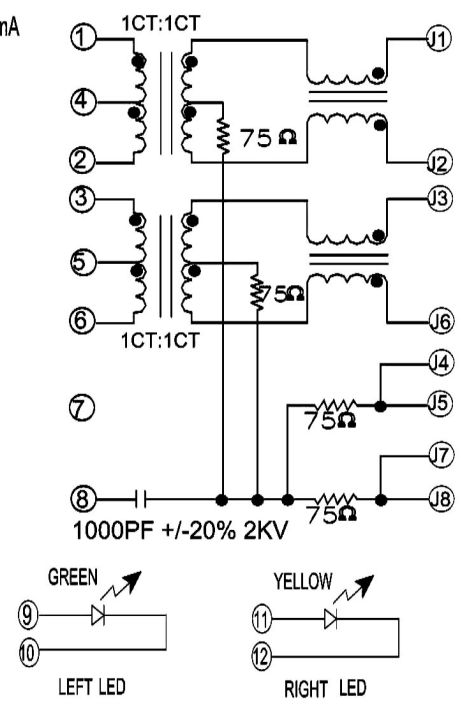


ELECTRICAL SPECIFICATIONS@25°C UNLESS OTHERWISE NOTED:

1. Turn Ratio(+/-2%): 1CT:1CT
2. Inductance OCL: 350uH Min @100KHz/0.1V DC BIAS 8mA
3. Insertion Loss:
 - 1.0dB Max @1.0-100MHz
4. Return Loss:
 - 20dB Min @1-30MHz
 - 16dB Min @30-60MHz
 - 12dB Min @60-80MHz
5. Cross talk:
 - 40dB Min @1-30MHz
 - 35dB Min @30-60MHz
6. Common Mode Rejection:
 - 30dB Min @1-50MHz
 - 20dB Min @50-150MHz
7. HIPOT TEST: 1500Vrms 1mA MAX
8. OPERATING TEMPERATURE RANGE: -40 ~ +80°C

SCHEMATICS



Connect Material:

Housing: Thermoplastic, PA46, UL 94V-0, Black
 Contact/Shield: Cooper alloy
 Shield Plating: Nickel
 Contact Plating: Selective gold 6u" Min

P.C.B. RECOMMENDED HOLE LAYOUT SEEN FROM COMPONENT SIDE.
 ALL CENTERLINE DIMENSIONS ARE BASIC

| | | | |
|--------------------------|-------------------|--|---|
| RoHS Compliant | | 玄茂科技股份有限公司 HSUAN MAO TECHNOLOGY CO., LTD. | |
| APPD. 核准 Betty | SCALE 比例 参考 | TOLERANCE 容許公差 .0 ± 0.30 .00 ± 0.20 ANG. ± 3° | PART NAME 品名 RJ45 TRANSFORMER PCB JACK W/FULLY SHIELDED SELECTIVE GOLD 6U" PLATING BLACK COLOR W/ TABS W/ LED(GREEN/YELLOW) OPERATING TEMPERATURE RANGE: -40°C ~ +70°C ROHS |
| DWG. 製圖 Betty | UNIT 單位 M M | SIZE. 紙張尺寸 A 4 | PART NO. C0072-88AYQB13R |
| DATE 制表日 2013/05/02 | PAGE 張數 1 OF 1 | REV. 版次 A | 料號 C0072-88AYQB13R |