

Viewed from PCB Component side

ELECTRICAL SPECIFICATIONS @ 25°C unless otherwise noted:

Insertion Loss: 1-100MHZ -1.0dB MAX

Return Loss: 1-30MHZ -16.0dB MIN

30-60MHZ -12.0dB MIN

60-80MHZ -10.0dB MIN

Crosstalk: 1-30MHZ -40.0dB MIN

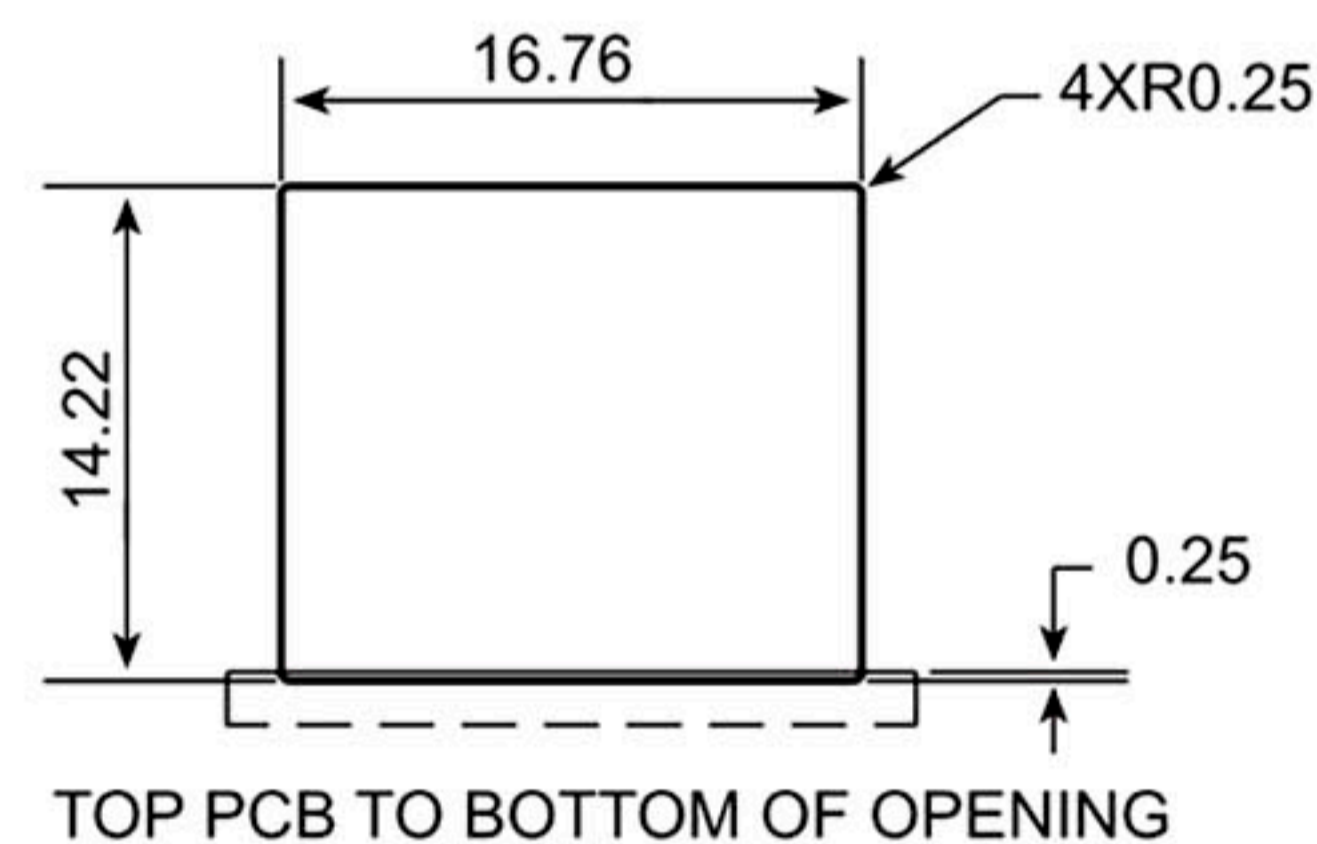
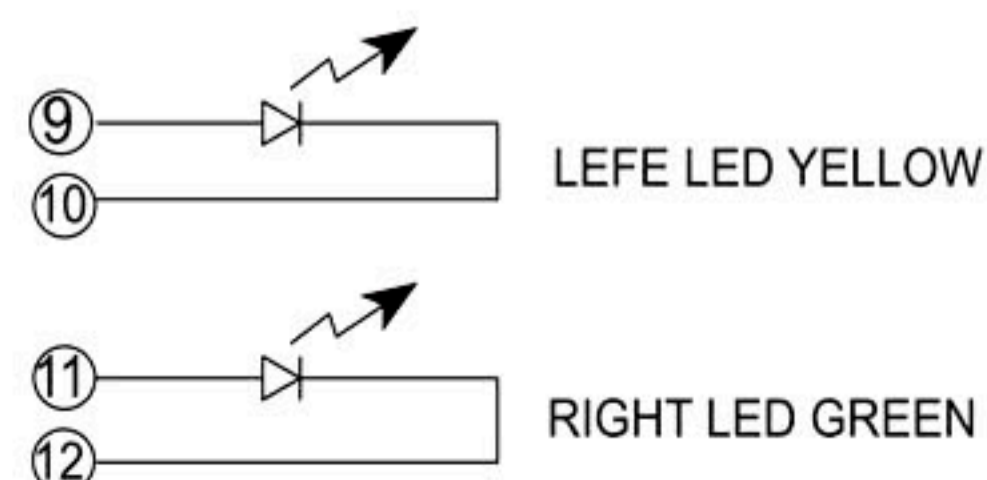
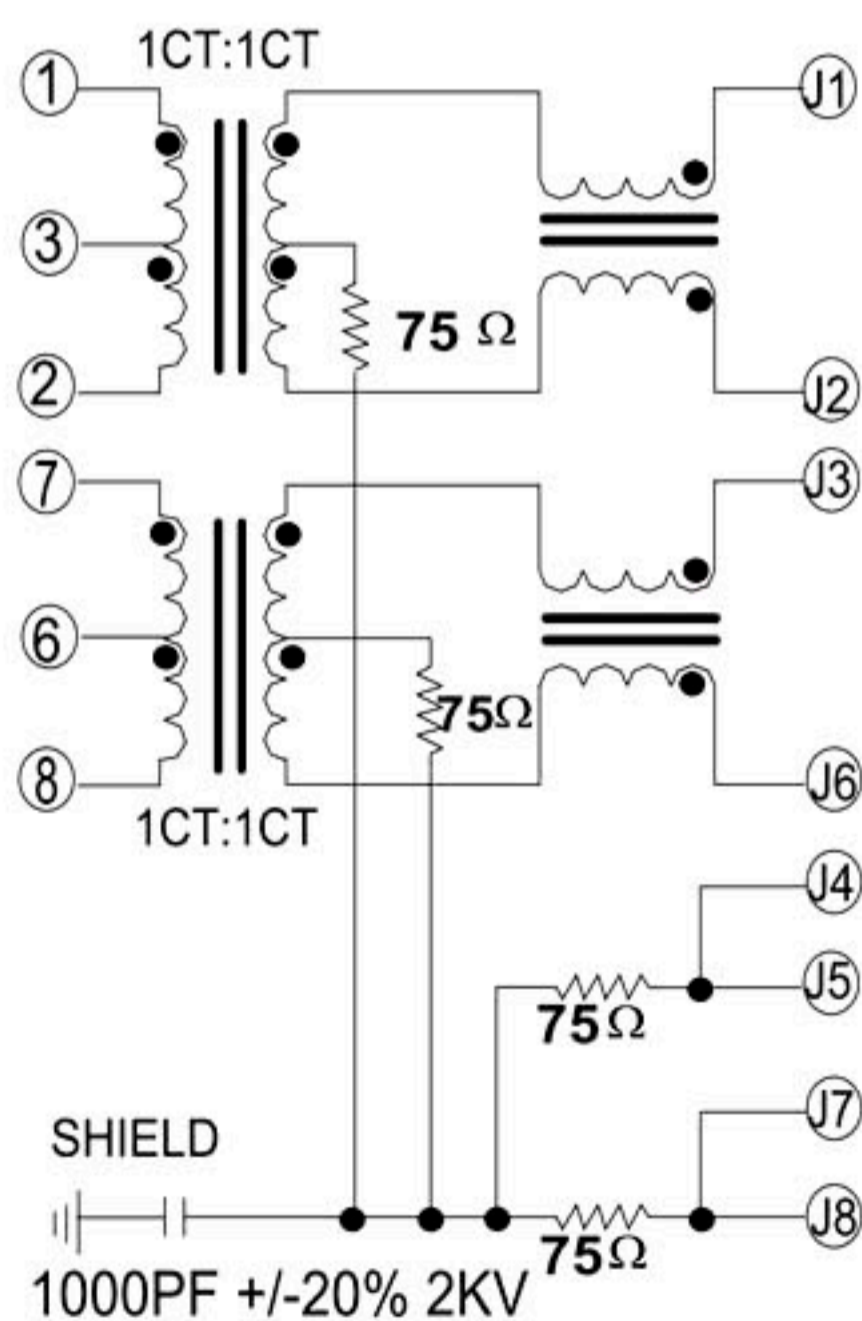
30-60MHZ -35.0dB MIN

60-100MHZ -30.0dB MIN

CMR: 1-100MHZ -30.0dB MIN

Hipot:1500V AC 6S 1mA

OCL:350uH MIN @ 100KHZ 100mV 8mA DC



RoHS Compliant		HSM 玄茂科技股份有限公司 HSUAN MAO TECHNOLOGY CO., LTD.	
APPD. 核准	SCALE 比例 参考	TOLERANCE 容許公差 .0 ± 0.25 .00 ± ANG. ±	PART NAME 品名 RJ45 TRANSFORMER PCB JACK W/FULLY SHIELDED SELECTIVE GOLD 6U" BLACK W/O TABS W/LED ROHS
DWG. 製圖 Helen	UNIT 單位 MM	SIZE 紙張尺寸 A4	PART NO. 料號 C0072-88AYQB02R
DATE 制表日 2013/5/24	PAGE 張數 1 OF 1	REV. 版本 A	