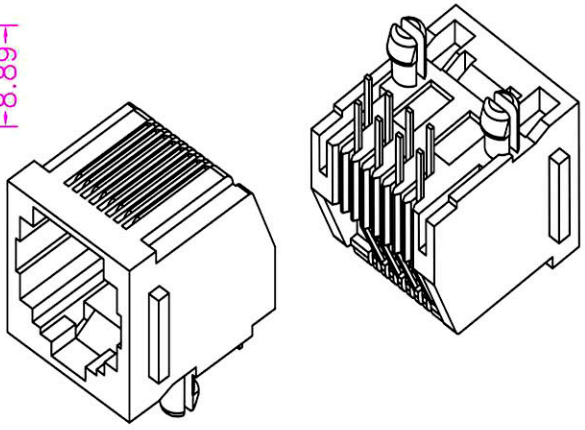
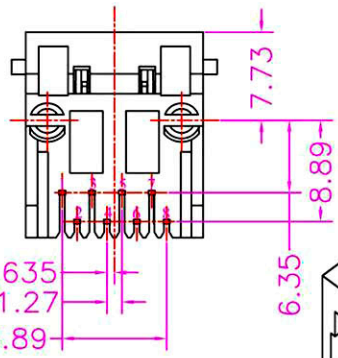
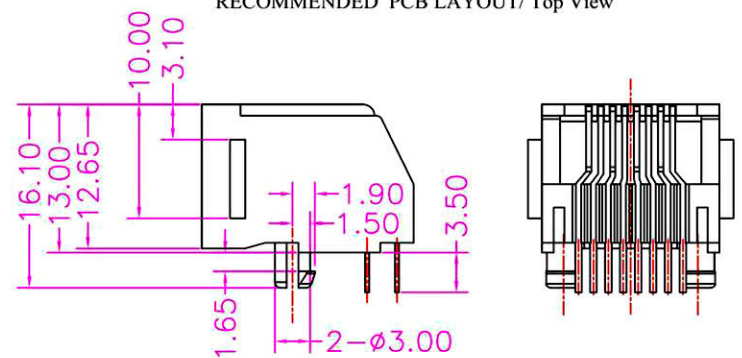
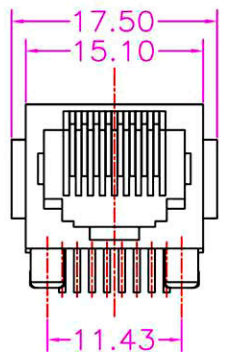


TOLERANCE:  $\pm 0.05$  THICKNESS: 1.50~1.60mm  
RECOMMENDED PCB LAYOUT/ Top View



**Material**  
Housing : PBT, Standard Color-Black  
Terminal :  $0.35 \pm 0.10$ mm Thickness Phosphor Bronze

**Finish**  
Contact: AU On Contact Area(See Prat NO. u" )  
,Solder Area Sn 80u" Min,Nickel Plating 50u" Min.

**Specification:**  
Mating: AC 125V 1.5A.  
Contact resistance  $\leq 60m\Omega$ .  
After test:  $\leq 60m\Omega$ .  
Insulation resistance: (DC 500V)  
 $500M\Omega$ .  
After test:  $\geq 200M\Omega$ .  
Withstanding voltage: 500V AC.  
Mating force: 25N Max.  
Life test: 1000 cycles Min.  
Lead Soldering Temperature  
Housing Material PBT =  $220 \pm 5^\circ$

RoHS Compliant		<b>HSM</b> 玄茂科技股份有限公司 HSUAN MAO TECHNOLOGY CO., LTD.	
APPD. 核准	SCALE 比例	TOLERANCE 容許公差 0 $\pm$ 0.5 .00 $\pm$ 0.3 ANG. $\pm$ 3°	PART NAME 品名 SIDE ENTRY P.C.B. JACK 8P8C DIP W/ PANEL STOP(UNSHIELDED) BLACK INSULATOR ROHS
DWG. 製圖 <i>Helen</i>	UNIT 單位 MM	SIZE. 紙張尺寸 A4	PART NO. 料號 C0065-88PAXB00R
DATE 制表日 2014/10/13	PAGE 張數 1 OF 1	REV. 版本 A	