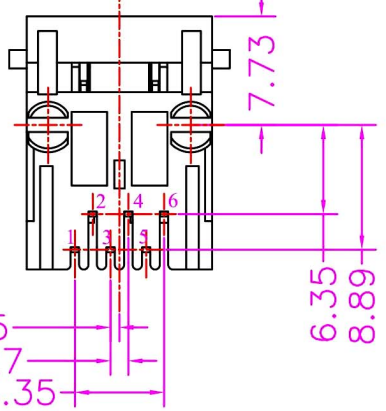
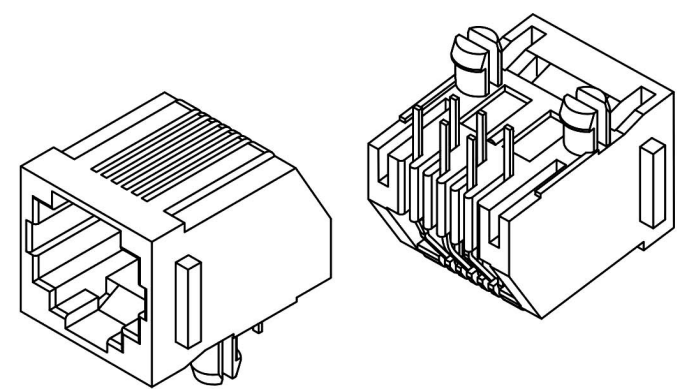
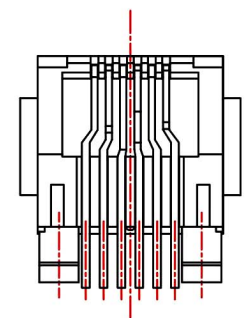
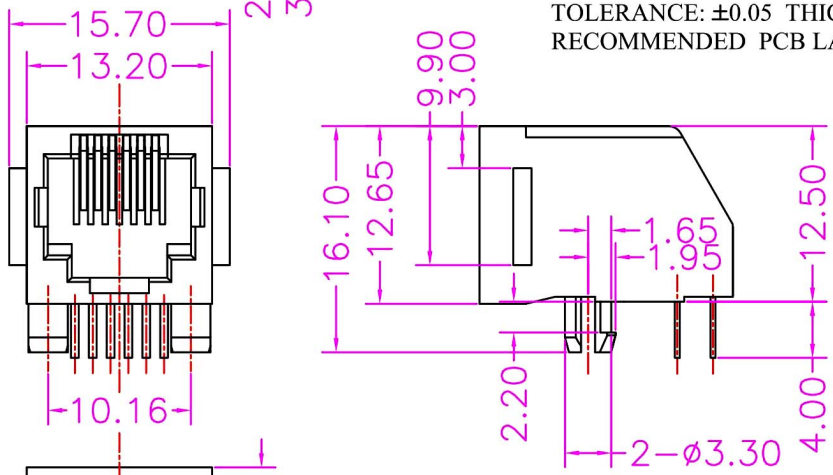


Material
 1. Housing : PBT .Standard Color-Black
 2. Terminal : 0.35±0.10mm Thickness Phosphor Bronze

Finish
 1. Contact: AU On Contact Area (6u";15u";30u";50u")
 ,Solder Area Sn 80u" Min,Nickel Plating 50u" Min.

Specification:
 1. Mating:AC 125V 1.5A.
 2. Contact resistance ≤60m Ω .
 After test: ≤60m Ω .
 3. Insulation resistance:(DC 500V)
 500M Ω .
 After test: ≥200M Ω .
 4. Withstanding voltage:500V AC.
 5. Mating force:25N Max.
 6. Life test:1000 cycles Min.
 7. Lead Soldering Temperature
 Housing Material PBT= 220±5°

TOLERANCE: ±0.05 THICKNESS:2.00mm
 RECOMMENDED PCB LAYOUT/ Top View



Pitch=1.27
 1.27X5=6.35

RoHS Compliant		HSM 玄茂科技股份有限公司 HSUAN MAO TECHNOLOGY CO., LTD.	
APPD. 核准 HELEN	SCALE 比例 参考	TOLERANCE 容許公差 0.00 ±0.13 .00 ±0.25 .0 ANG ±0.38 ±3°	PART NAME 品名 SIDE ENTRY P.C.B. JACK 6P6C DIP W/ PANEL STOP(UNSHIELDED) BLACK INSULATOR ROHS
DWG. 製圖 ABBY	UNIT 單位 MM	SIZE 紙張尺寸 A 4	PART NO. 料號 C0065-66PAXB00R
DATE 制表日 2016/02/03	PAGE 張數 1 OF 1	REV. 版次 B	