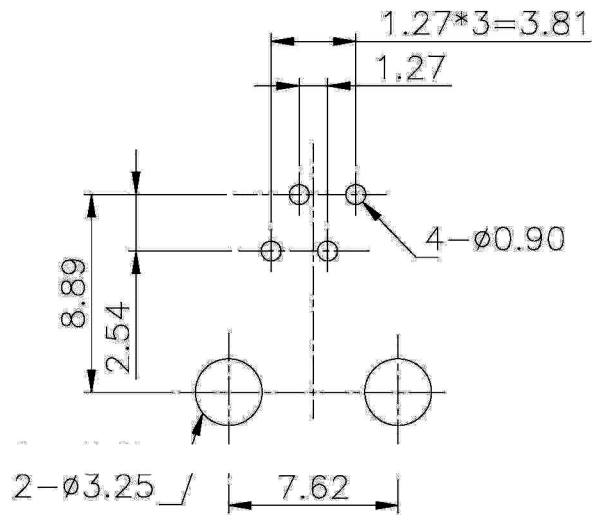
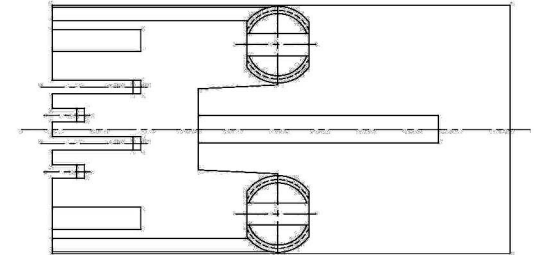
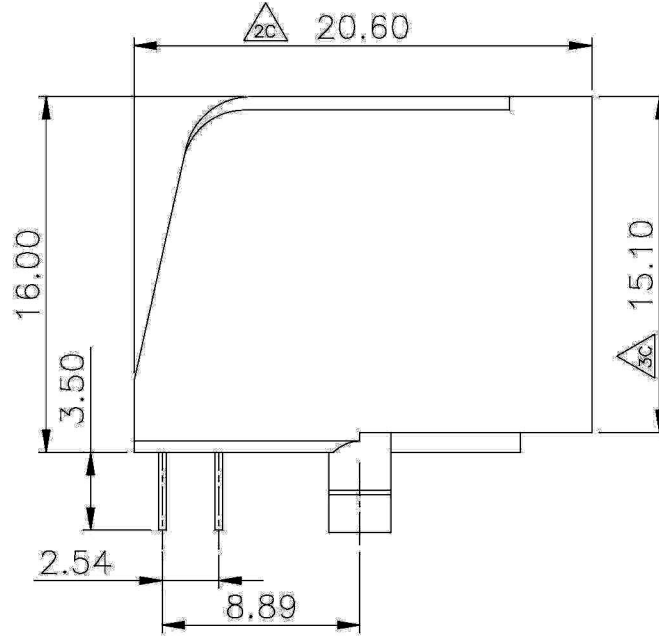


PCB LAYOUT/TOP VIEW



MATERIALS:

PLASTIC HOUSING: ENGINEERING THERMOPLASTIC
FLAMMABILITY RATING UL 94V-0.

CONTACTS: PHOSPHOR BRONZE

PLATING: GOLD PLATING OVER NICKEL IN CONTACT.
TIN PLATING OVER NICKEL IN SOLDER AREA.

RoHS Compliant		HSM 玄茂科技股份有限公司		HSUAN MAO TECHNOLOGY CO., LTD.
APPD. 核准		TOLERANCE .XXX ±0.10 .XX ±0.25 .X ±0.38 X ±0.50 ANG ±3°	PART NAME 品名 SIDE ENTRY PCB JACK 4P4C W/O SHIELD W/O PANEL STOP SPLIT FOOT BLACK COLOR ROHS	
DWG. 製圖	Hedy	SCALE 比例 參考	UNIT 單位 MM	PART NO. 料號 C0063-44BSXB00R
DATE 制表日	2013/08/01	PAGE 張數 1 / 1	REV. 版次 A	