

1 2 3 4 5 6 7 8

A

B

C

D

E

F

G

H

A

B

C

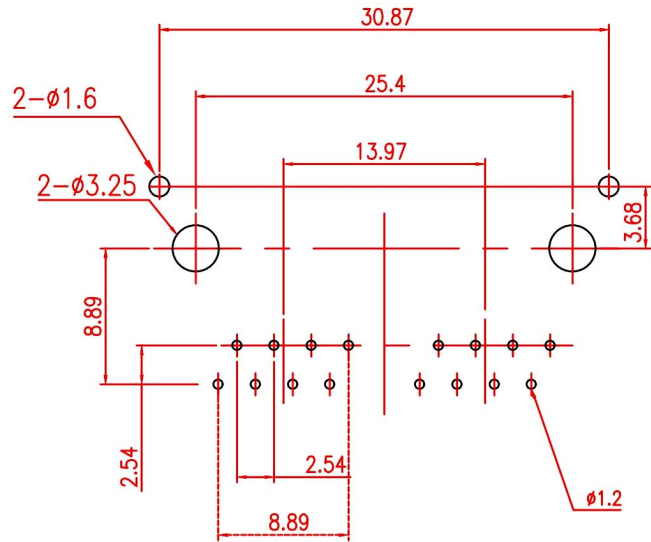
D

E

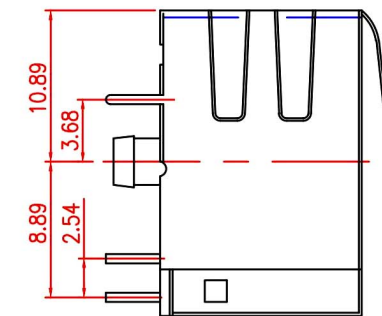
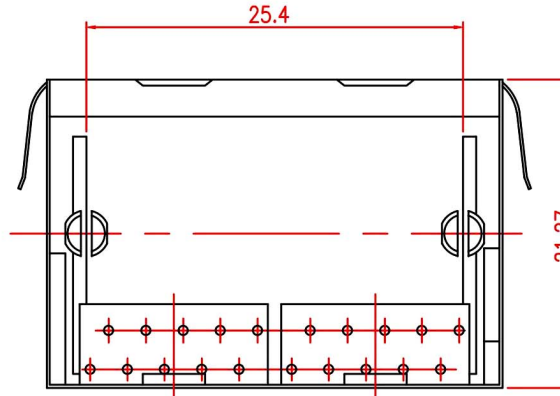
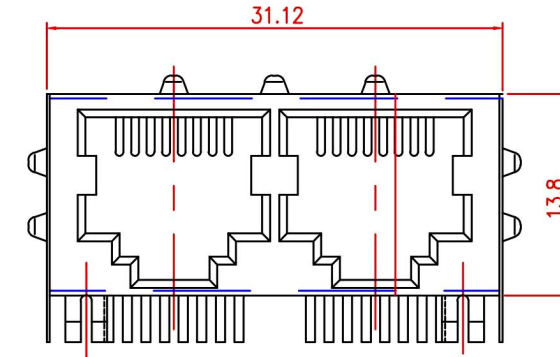
F

G

H



PCB Layout



Materials

Housing: Glass Filled Polyester UL94V-0,Black
 Shielding: 0.25mm Thick Copper Alloy,Tin-plated
 Contact:0.45mm Diameter Phosphor Bronze
 Gold Plating Over Nickel

Electrical Characteristics:

Insulation Resistance:500MΩ Min.
 Contact Resistance:30mΩ Max.
 Withstand Voltage:1000VAC 1minute.
 Current Rating:1.5A

General tolerance: ±0.2mm General angle tolerance: ±2°

RoHS Compliant		HSM 玄茂科技股份有限公司 HSUAN MAO TECHNOLOGY CO., LTD.	
APPD. 核准 HELEN	SCALE 比例 参考	TOLERANCE 容許公差 .0 ± .00 ± ANG. ±	PART NAME 品名
DWG. 製圖 ABBY			SIDE ENTRY PCB JACK STAMPED PIN 10P8C GANG TYPE 2 PORTS FULLY SHIELDED B TYPE WITH 3 TABS BLACK INSULATOR ROHS
DATE 制表日 2015/10/26	UNIT 單位 M M	SIZE. 紙張尺寸 A 4	PART NO. 料號 C0060-08BBXB02R
	PAGE 張數 1 OF 1	REV. 版次 C	

1 2 3 4 5 6 7 8