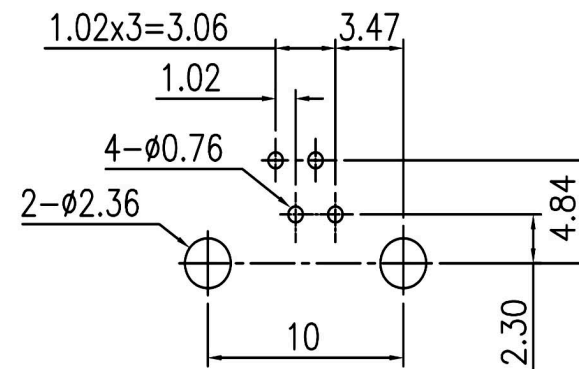


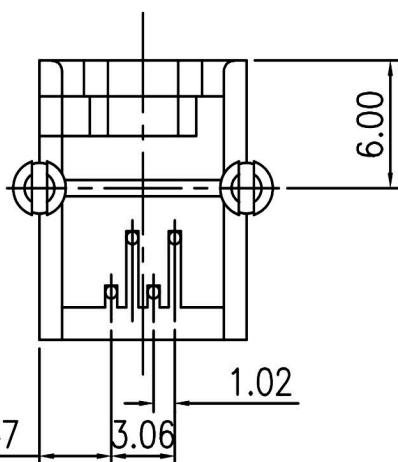
Materials

Housing: Glass Filled Polyester UL94V-0, Black

Contact: 0.45mm Diameter Phosphor Bronze Gold Plating Over Nickel



PCB Layout



RoHS Compliant		HSM 玄茂科技股份有限公司 HSUAN MAO TECHNOLOGY CO., LTD.	
APPD. 核准		TOLERANCE 容許公差	PART NAME 品名
DWG. 製圖	Betty	.0 ± 0.30 .00 ± 0.20 ANG. ± 3°	SIDE ENTRY MINI L/P PCB JACK 4P4C W/O PANEL STOP SPLIT FOOT ROUND PIN BLACK COLOR ROHS
DATE 制表日	2021/11/25	UNIT 單位	PART NO.
		M M	料號 C0059-44ABXB00R
		PAGE 張數	
		1 OF 1	
		REV. 版次	
		A	