

1 2 3 4 5 6 7 8

A

A

B

B

C

C

D

D

E

E

F

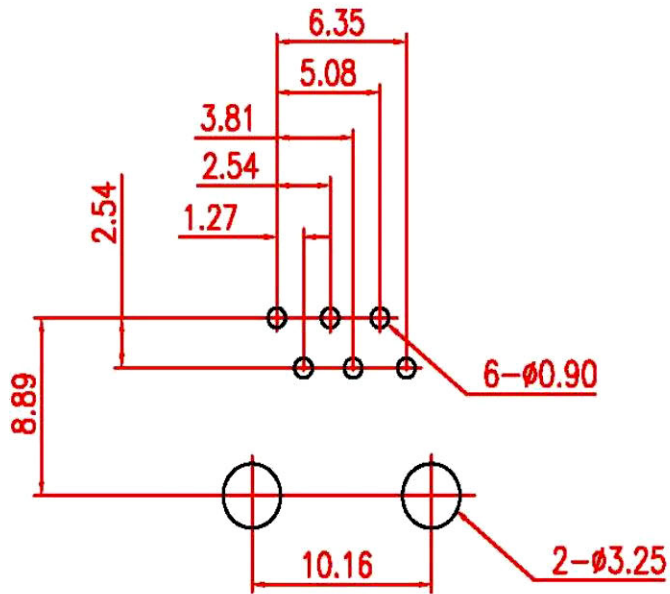
F

G

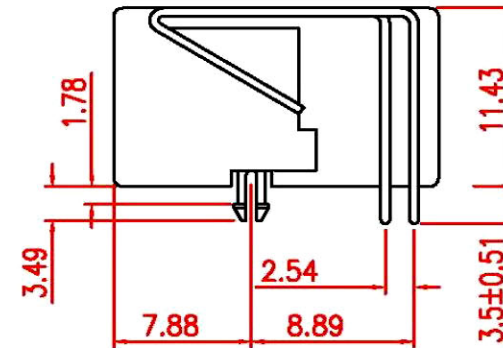
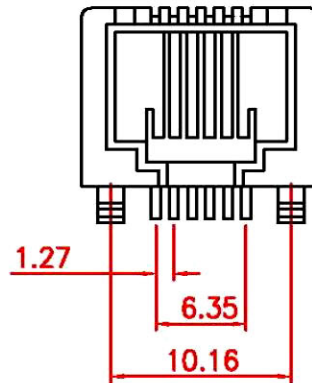
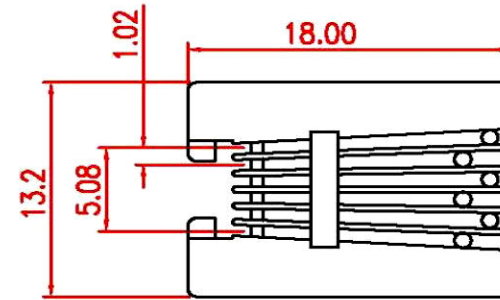
G

H

H



PCB Layout



Materials

Housing: Glass Filled Polyester UL94V-0, Black

Contact: 0.45mm Diameter Phosphor Bronze Gold Plating Over Nickel

RoHS Compliant		HSM 玄茂科技股份有限公司 HSUAN MAO TECHNOLOGY CO., LTD.	
APPD. 核准		TOLERANCE 容許公差	PART NAME 品名
DWG. 製圖	HELEN	0 ± 0.2 .00 ± ANG ±	SIDE ENTRY L/P PCB JACK 6P6C W/O SHIELD BLACK COLOR ROHS
DATE 制表日	2011/5/10	UNIT 單位	PART NO.
		M M	料號
		PAGE 張數	C0057-66NXB000R
		1 OF 1	
		REV. 版本	
		A	

1 2 3 4 5 6 7 8