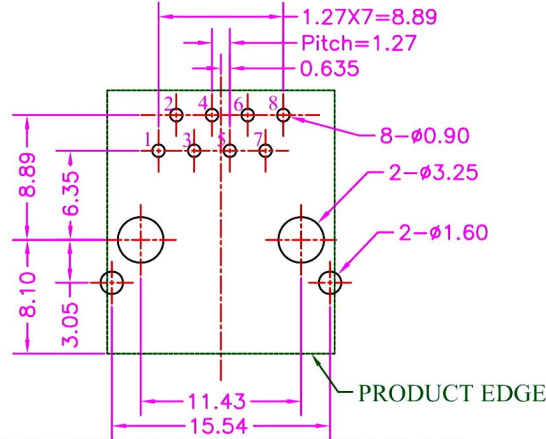
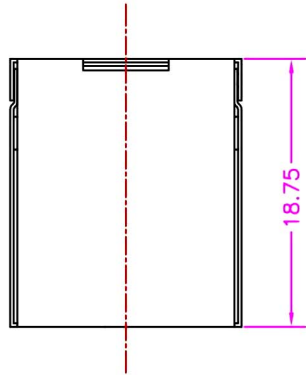


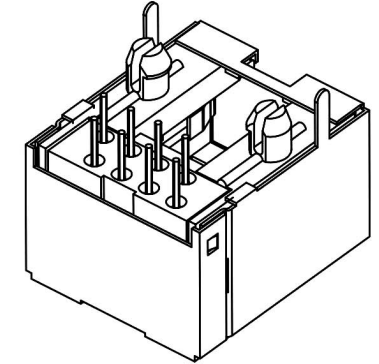
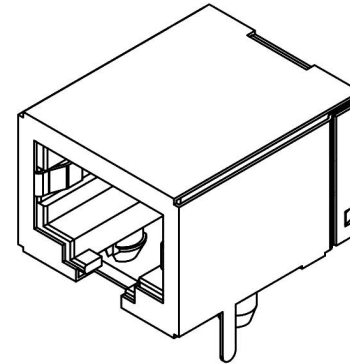
1 2 3 4 5 6 7 8

A
B
C
D
E
F
G
H

A
B
C
D
E
F
G
H



TOLERANCE: ± 0.05 THICKNESS: 1.50~1.60mm
RECOMMENDED PCB LAYOUT/ Top View



Material

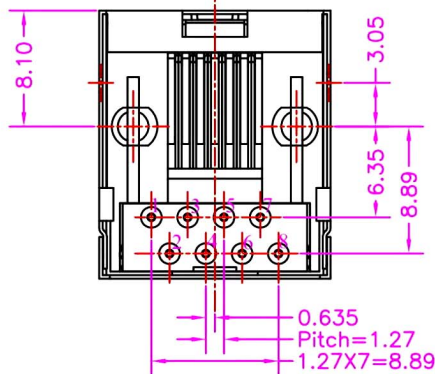
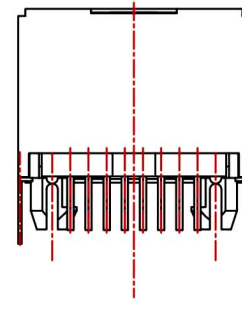
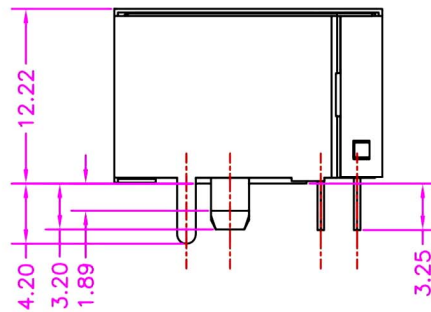
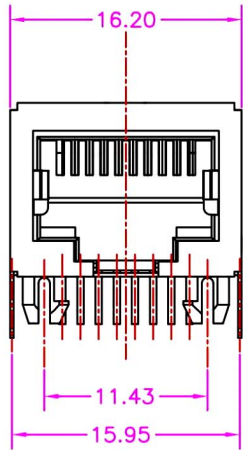
Housing : PBT Polyester UL94V-0, Black Color
Terminal : 0.45 \pm 0.10mm Round Pin
Phos-Bronze.
Shell : 0.25 \pm 0.10mm Thickness Brass.

Finish

Contact: All Terminal G/F & Gold 6u" Plated
Shell : 50u" Min Nickel Plated Overall.

Specification:

Mating: AC 125V 1.5A.
Contact resistance $\leq 60m \Omega$.
After test: $\leq 60m \Omega$.
Insulation resistance: (DC 500V)
500M Ω .
After test: $\geq 200M \Omega$.
Withstanding voltage: 500V AC.
Mating force: 25N Max.
Life test: 1000 cycles Min.
Lead Soldering Temperature
Housing Material PBT = 220 \pm 5°



RoHS Compliant		HSM 玄茂科技股份有限公司 HSUAN MAO TECHNOLOGY CO., LTD.	
APPD. 核准 HELEN	SCALE 比例 参考	TOLERANCE 容許公差 .000 \pm 0.15 .00 \pm 0.30 .0 \pm 0.50 ANG $\pm 3^\circ$	PART NAME 品名 SIDE ENTRY L/P PCB JACK 10P8C FULLY SHIELDED (3.05mm BEFORE PEG) BLACK COLOR ROHS
DWG. 製圖 ABBY	UNIT 單位 MM	SIZE. 紙張尺寸 A 4	PART NO. 料號 C0057-08YXB000R
DATE 制表日 2015/03/30	PAGE 張數 1 OF 1	REV. 版次 A	

1 2 3 4 5 6 7 8