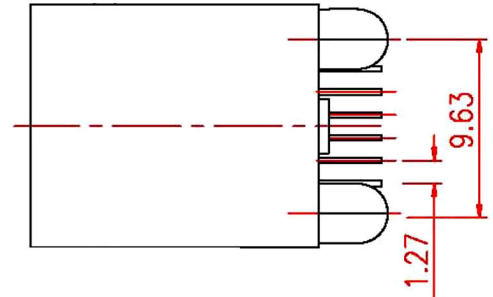
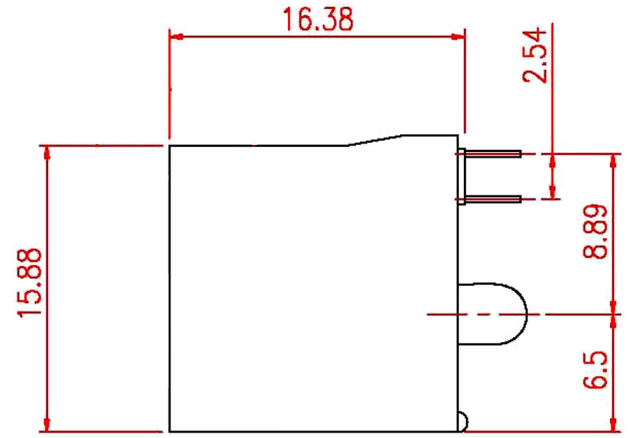
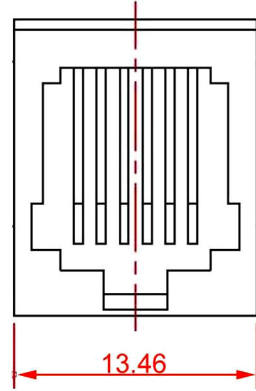


PCB Layout



Materials

Housing: Glass Filled Polyester UL94V-0,Black
 Contact:0.45mm Diameter Phosphor Bronze Gold Plating Over Nickel
 Operating: Temperature : -25°~+70°

RoHS Compliant		HSM 玄茂科技股份有限公司 HSUAN MAO TECHNOLOGY CO., LTD.	
APPD. 核准 DWG. 製圖 DATE 制表日 2017/09/29	SCALE 比例 UNIT 單位 PAGE 張數 1 OF 1	TOLERANCE 容許公差 .0 ± .00 ± ANG. ± SIZE. 紙張尺寸 A 4 REV. 版次 A	PART NAME 品名 TOP ENTRY PCB JACK 6P6C W/O PANEL STOP HALF ROUND FOOT BLACK COLOR ROHS LOW-LEAD PART NO. 料號 C0052-66BHXB00R