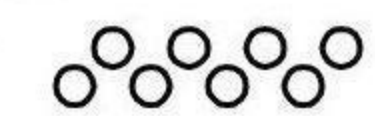


1 2 3 4 5 6 7 8

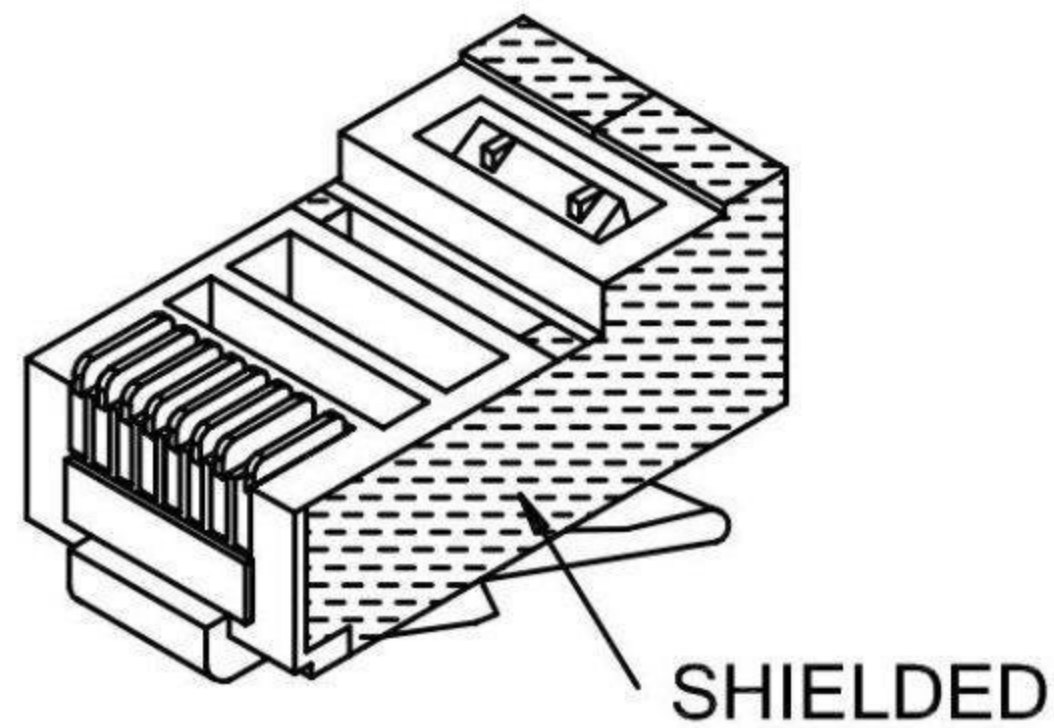
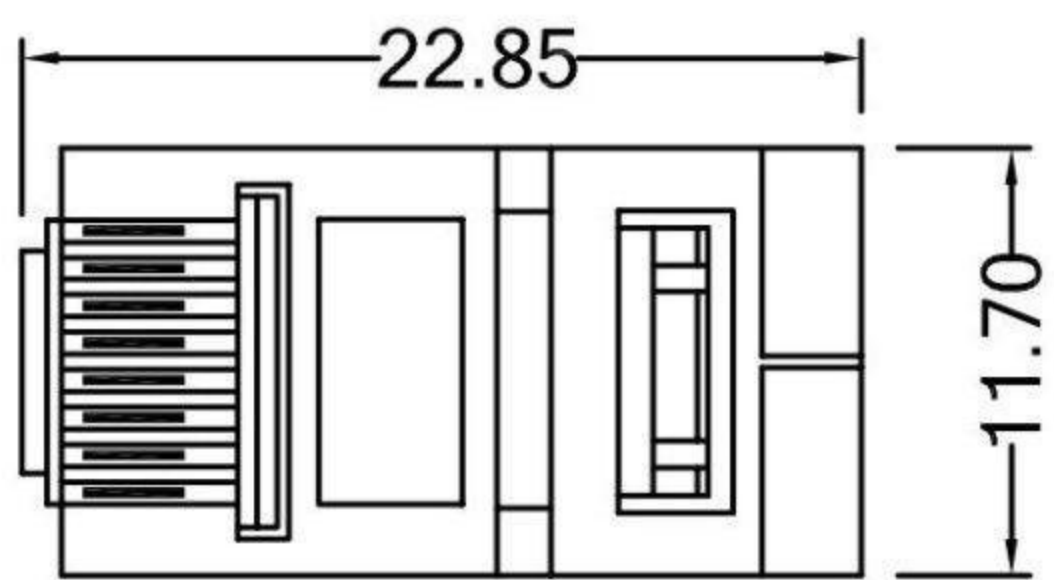
A

A

Shielded
2 Row 

B

B

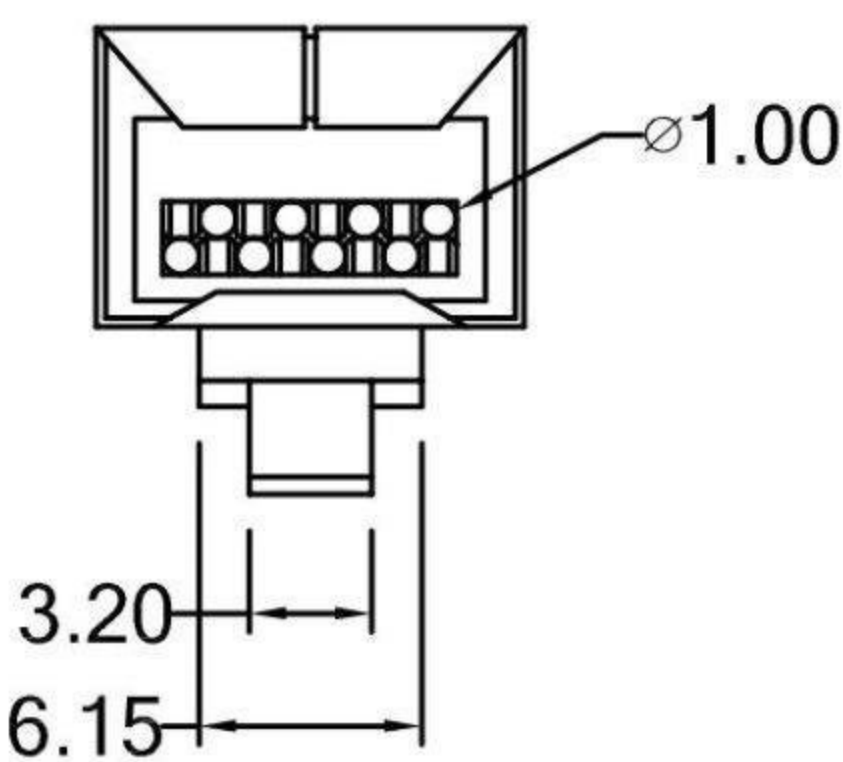
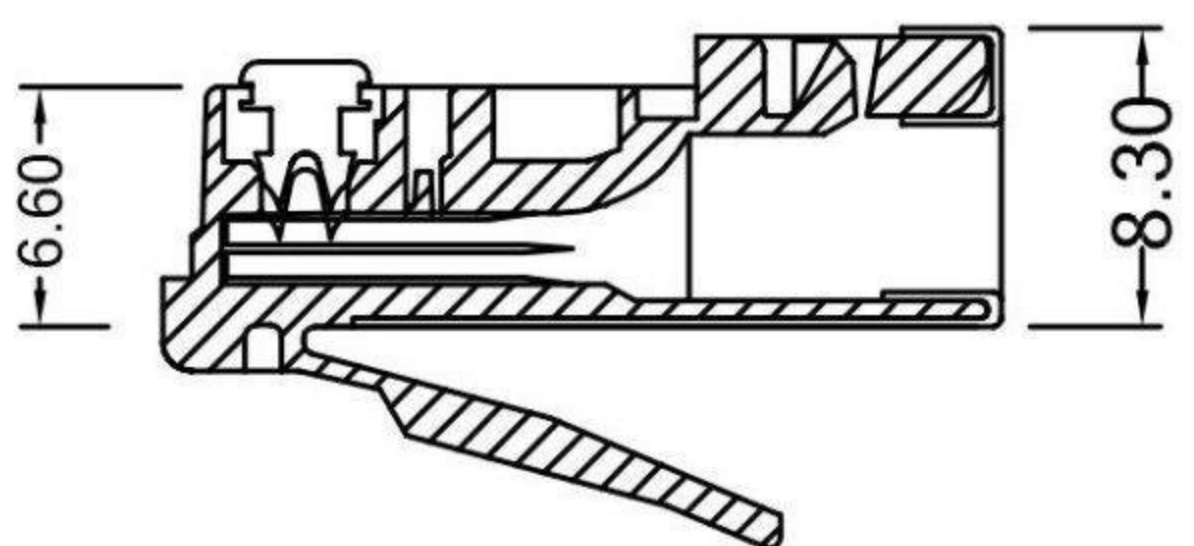


C

C

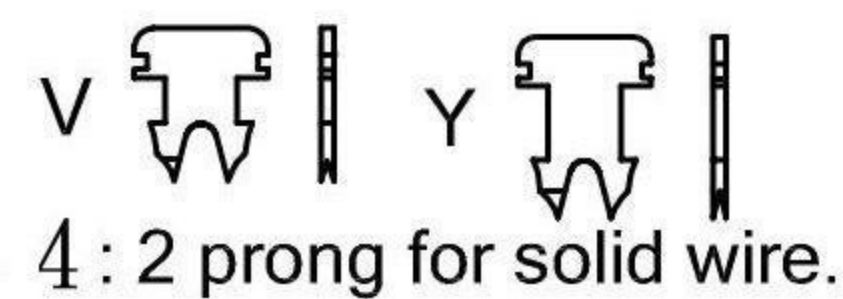
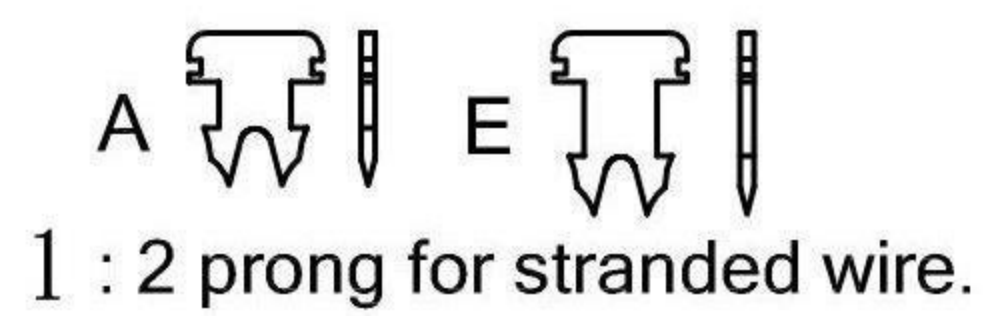
D

D



E

E



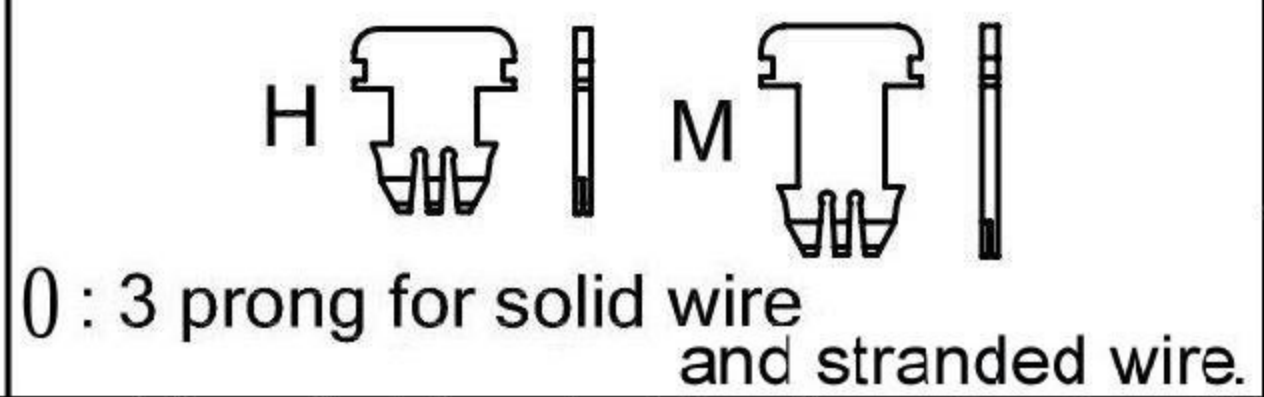
F

F

MATERIAL & FINISH

Body: Polycarbonate, UL94V-2, clean
Terminal: 0.35 mm thickness copper alloy, underplated with 100 uin Nickel, and plated with selective Gold in contact region and gold flash on remainder of terminal.

3 prong for solid wire



G

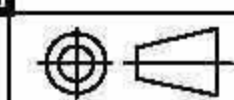
G

SPECIFICATION:

Voltage : 125 VAC
Current : 1.5 A
Contact Resistance : 30 milliohms max.
Insulation Resistance : 500 megaohms min.
Dielectric Withstanding Voltage : 1000 VAC

H

H

RoHS Compliant		HSM 玄茂科技股份有限公司 HSUAN MAO TECHNOLOGY CO., LTD.	
APPD. 核准		TOLERANCE 容許公差 .0 ± 0.1 .00 ± ANG. ±	PART NAME 品名 CAT6 MODULAR PLUG FOR FLAT & ROUND CABLE 8P8C UL94-V2 GOLD 50U" PLATING TWO LAYOUT WITH SHIELDED ROHS
DWG. 製圖 HELEN	SCALE 比例 參考	UNIT 單位 MM	PART NO. 料號 C0049-88FAYMXOR
DATE 制表日 2011/9/9	PAGE 張數 1 OF 1	REV. 版本 A	

1 2 3 4 5 6 7 8