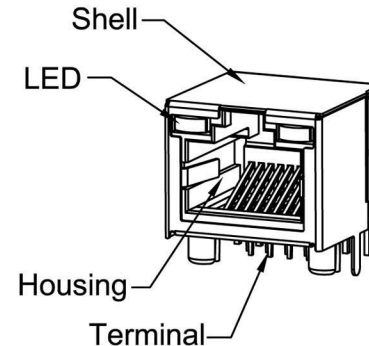
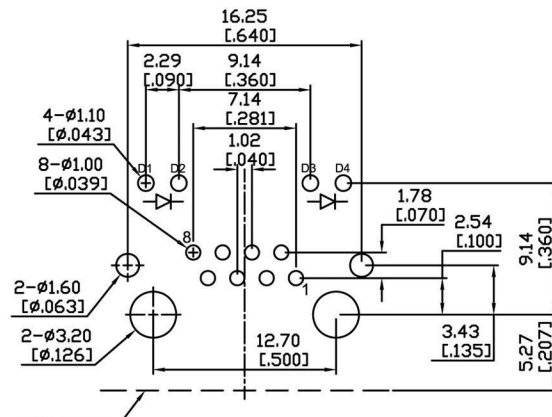
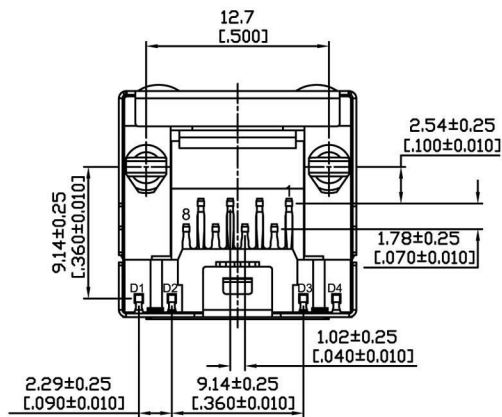


Electrical Characteristics :
 Insulation Resistance : 500MΩ Min.
 Contact Resistance : 50mΩ Max.
 Withstand Voltage : 1000 VAC 1 minute.
 Current Rating : 1.5A
 Voltage Resistance : 150VAC
 Operating Temp: -40 °C ~+ 85 °C

Material:
 Housing: Thermoplastic UL94V-0
 Contact : Selective Gold Plating
 Terminal: 0.35mm Thickness Copper Alloy
 Plated With Gold And Tin In Solder Area.
 Shell: Copper Alloy, Nickel Plating.



RECOMMENDED PCB LAYOUT
 TOP VIEW
 TOLERANCE: ±0.05mm
 PCB THICKNESS: 1.60±0.05mm

RoHS Compliant		HSM 玄茂科技股份有限公司 HSUAN MAO TECHNOLOGY CO., LTD.	
APPD. 核准	SCALE 比例 参考	TOLERANCE 容許公差	PART NAME 品名
DWG. 製圖 Hedy		0.000 mm ± 0.075 mm 0.00 mm ± 0.15 mm 0.0 mm ± 0.25 mm	SIDE ENTRY PCB JACK 8P8C DIP TYPE WITH SHIELDED W/ LED(LEFT:YELLOW/RIGHT:GREEN BLACK INSULATOR ROHS
DATE 制表日 2019/07/18	UNIT 單位 MM	SIZE. 紙張尺寸 A4	PART NO. 料號 C0048-88YX02B0R
	PAGE 張數 1 / 1	REV. 版次 A	