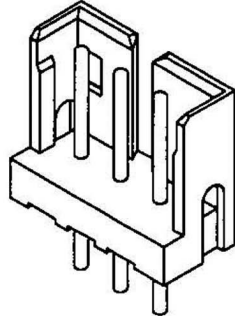
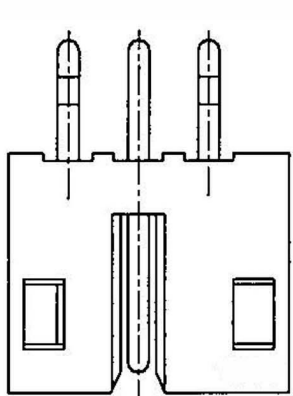


1 2 3 4 5 6 7 8

A
B
C
D
E
F
G
H

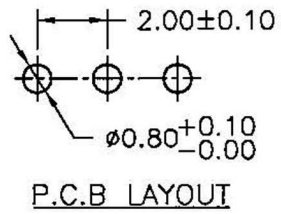
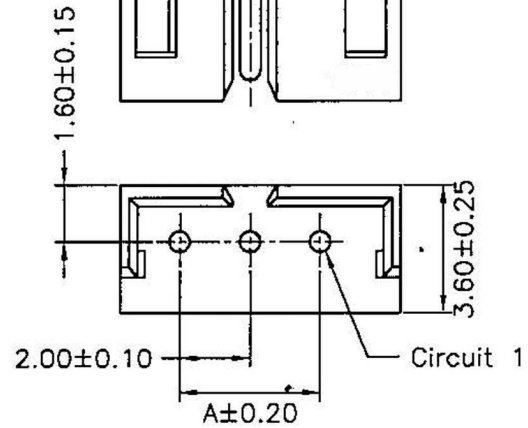
A
B
C
D
E
F
G
H



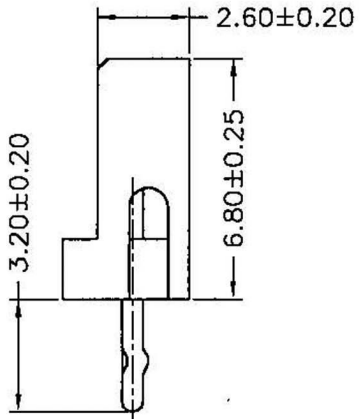
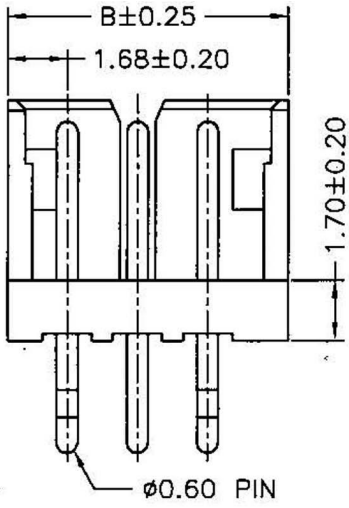
SPECIFICATIONS
 Current Rating: 4A AC,DC
 Voltage Rating: 125V AC,DC
 Temperature Range: -25°C ~ +85°C
 Contact Resistance: 10mΩ Max.
 Insulation Resistance: 1000MΩ Min.
 Withstanding Voltage: 1000V AC/minute
 Pin Material: Brass/Tin-plated 100~150u"
 Material: Nylon 66,UL94V-0
 Color: Natural(White)

Ordering Information & Dimensions

PART NO.	Dimensions	
	A	B
02P	2.00	5.96
03P	4.00	7.96
04P	6.00	9.96
05P	8.00	11.96
06P	10.00	13.96
07P	12.00	15.96
08P	14.00	17.96
09P	16.00	19.96
10P	18.00	21.96
11P	20.00	23.96
12P	22.00	25.96



P.C.B. LAYOUT



RoHS Compliant		HSM 玄茂科技股份有限公司 HSUAN MAO TECHNOLOGY CO., LTD.	
APPD. 核准 Betty	TOLERANCE 容許公差 0 ±0.25 .00 ±0.15 ANG. ±	PART NAME 品名 2.0mm WAFER XXP STRAIGHT TIN PLATED WHITE INSULATOR ROHS LOW-LEAD	
DWG. 製圖 Yumi	SCALE 比例 參考 UNIT 單位 M M PAGE 張數 1 OF 1	SIZE 紙張尺寸 A 4 REV. 版次 A	PART NO. 料號 W2109-XXPSTW00R
DATE 制表日 2008/02/20			

1 2 3 4 5 6 7 8