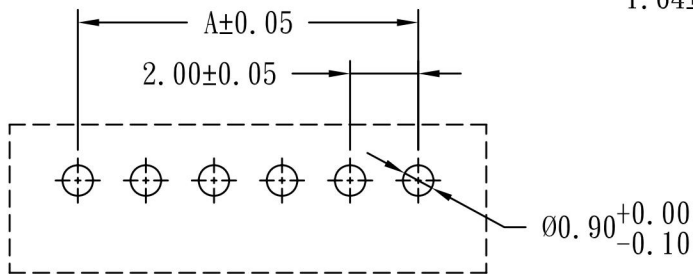
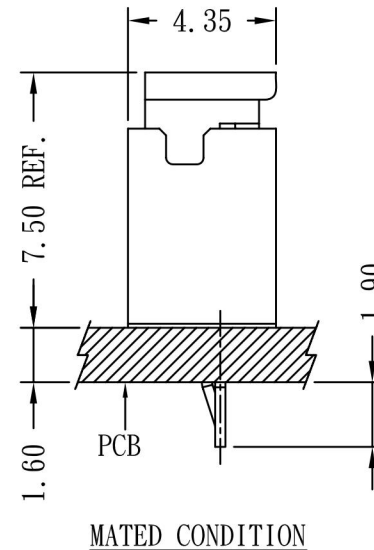
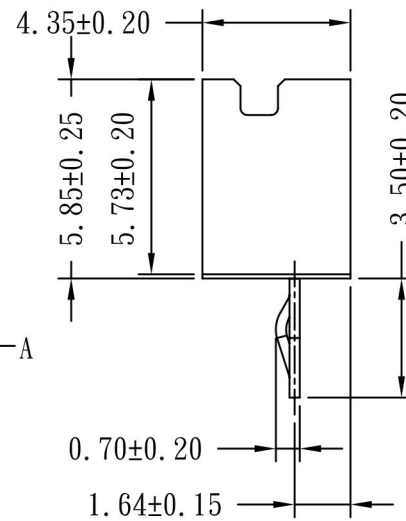
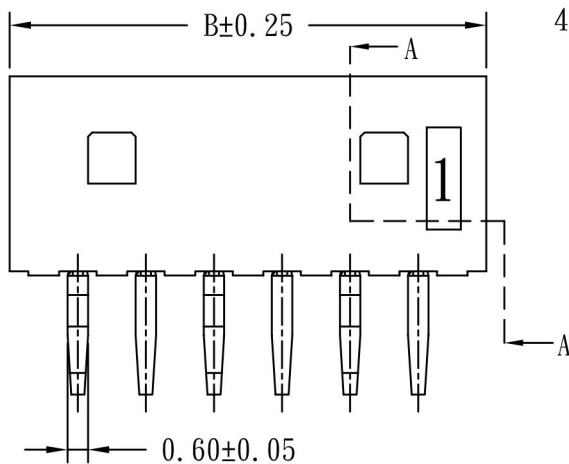


SPECIFICATIONS

Current Rating: 2A AC, DC
 Voltage Rating: 125V AC, DC
 Temperature Range: -25°C ~ +85°C
 Contact Resistance: 20mΩ Max.
 Insulation Resistance: 1000MΩ Min.
 Withstanding Voltage: 800V AC/minute
 Pin Material: Phosphor Bronze
 Material: Nylon 66, UL94V-0

Circuit No.	Dimensions		
	A	B	C
02P	2.00	6.00	5.10
03P	4.00	8.00	7.10
04P	6.00	10.00	9.10
05P	8.00	12.00	11.10
06P	10.00	14.00	13.10
07P	12.00	16.00	15.10
08P	14.00	18.00	17.10
09P	16.00	20.00	19.10
10P	18.00	22.00	21.10
11P	20.00	24.00	23.10
12P	22.00	26.00	25.10
13P	24.00	28.00	27.10
14P	26.00	30.00	29.10
15P	28.00	32.00	31.10



P.C.B LAYOUT

**RoHS
Compliant**

HSM 玄茂科技股份有限公司
HSUAN MAO TECHNOLOGY CO., LTD.

APPD. Betty
 DWG. Karen
 DATE 2013/04/29

TOLERANCE
 SCALE 参考
 UNIT M M
 PAGE 1 OF 1
 .0 ±0.25
 .00 ±0.15
 ANG. ±
 SIZE. A 4
 REV. B

PART NAME 品名
 Molex2.0mm WAFER 1*XXP RIGHT ANGLE TYPE
 TIN PLATING BEIGE INSULATOR ROHS
 PART NO. W2105-XXPSTC00R
 料號