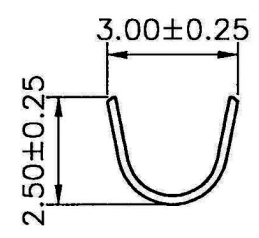
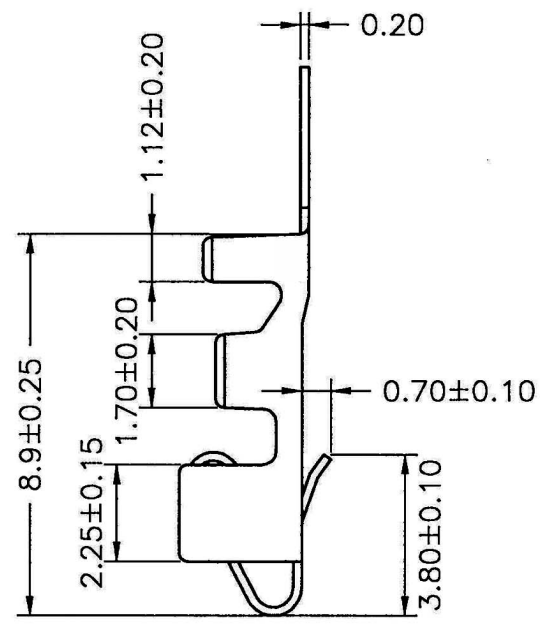
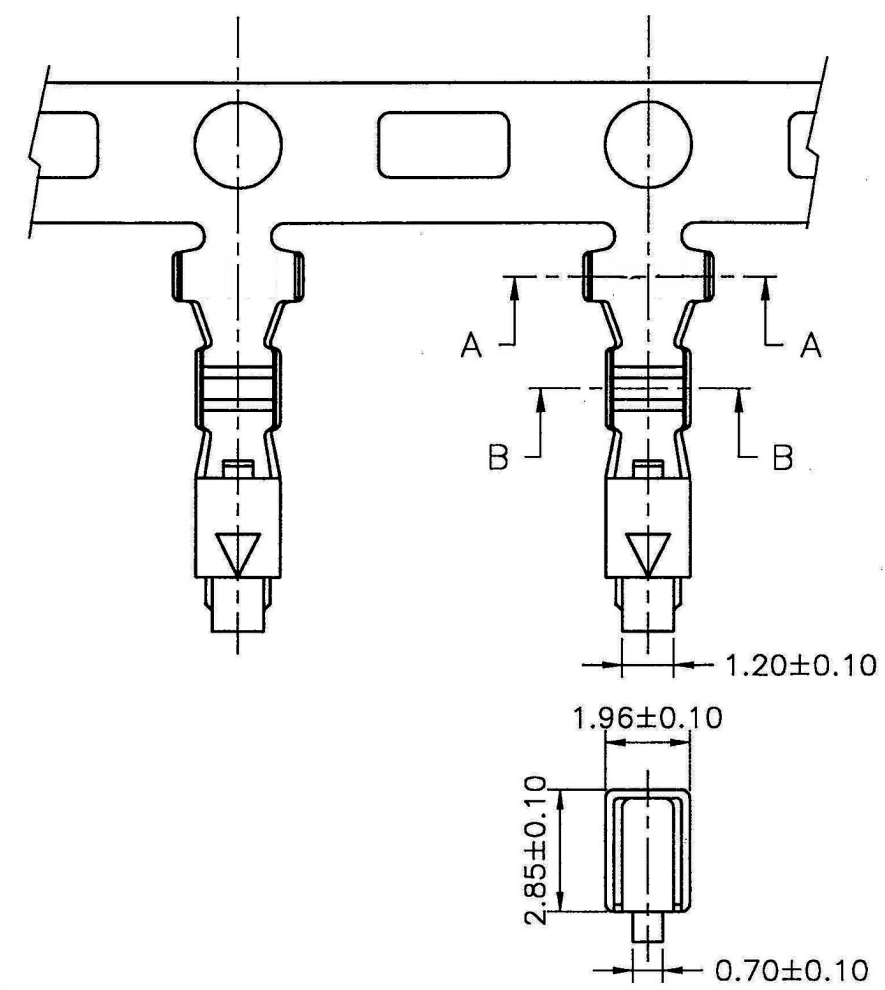


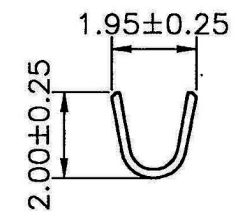
1 2 3 4 5 6 7 8

A
B
C
D
E
F
G
H

A
B
C
D
E
F
G
H



SEC:A-A



SEC:B-B

Wire Range	Insulation O.D.	Material	Finish	Qty/reel
AWG#22-#28	1.80mm(max)	Brass	Tin-plated	7,000pcs

RoHS Compliant		HSM 玄茂科技股份有限公司 HSUAN MAO TECHNOLOGY CO., LTD.	
APPD. 核准 Ivy	DWG. 製圖 Yumi	 TOLERANCE: X. X±0.25 X. XX±0.15 X. XXX±0.05 SCALE 比例 參考 UNIT 單位 M M PAGE 張數 1 OF 1	PART NAME 品名 JST SM 2.5mm FEMALE TERMINAL BRASS MATERIAL TIN PLATINGAWG22~28 1ROLL=7000 PCS ROHS LOW-LEAD PART NO. 料號 T2320-TBJ00000R
DATE 制表日 2009/08/17		REV. 版次 A	

1 2 3 4 5 6 7 8