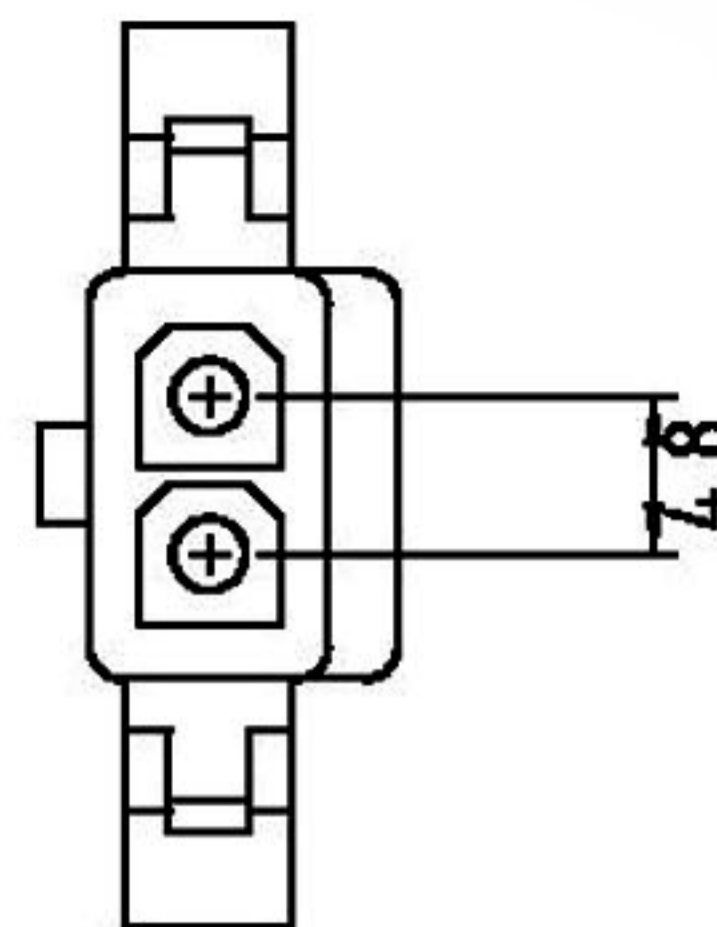
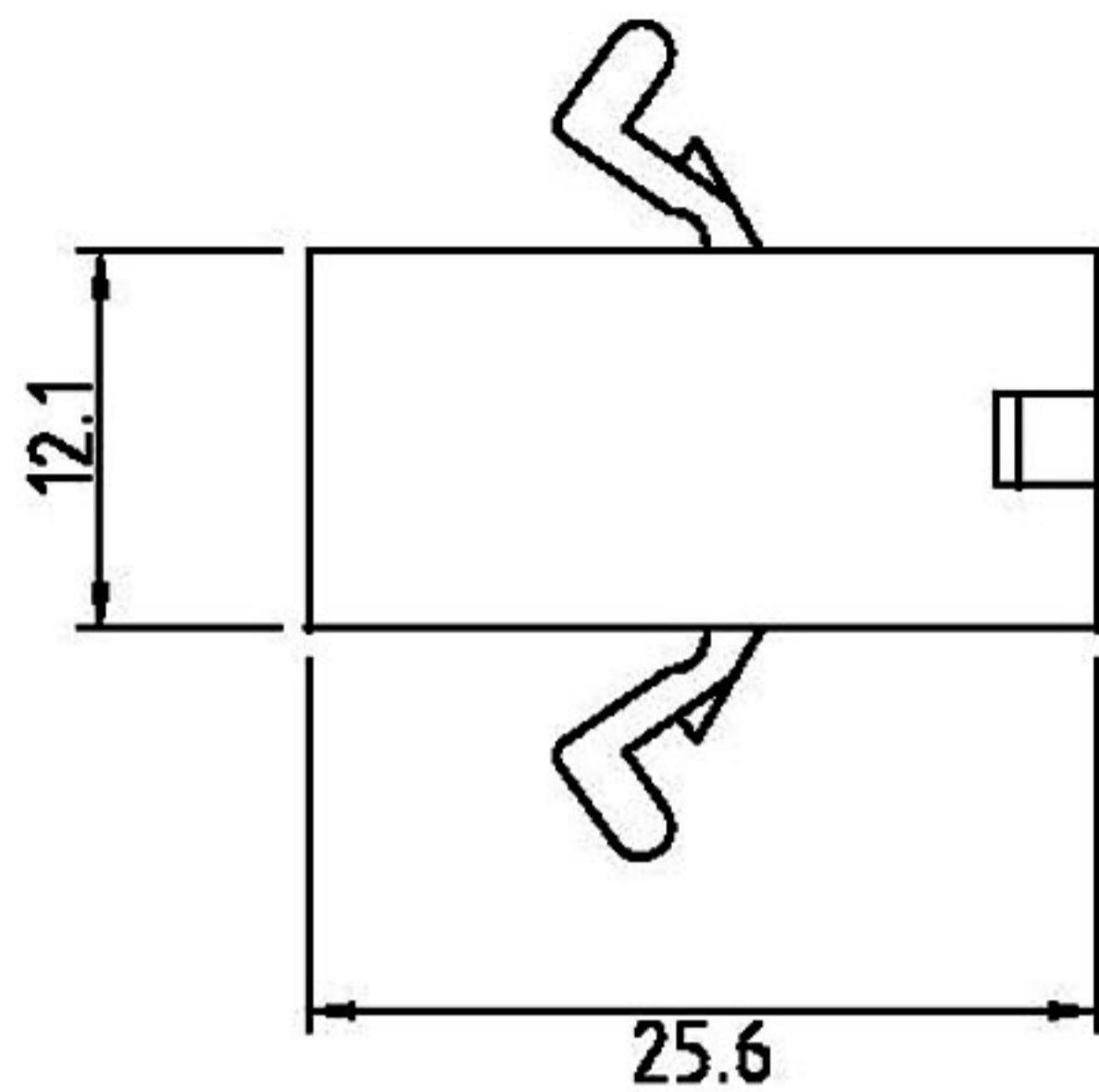


1 2 3 4 5 6 7 8

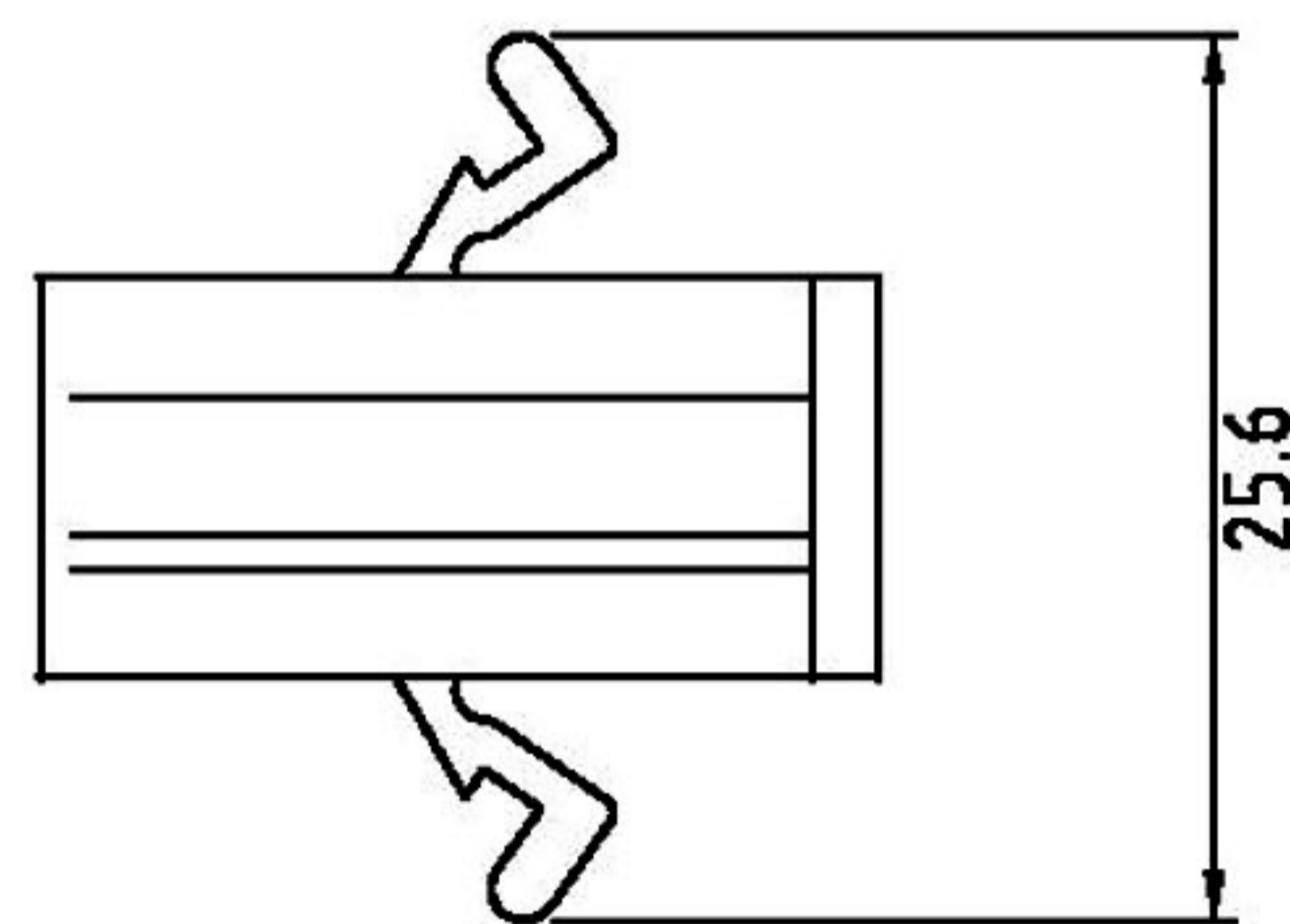
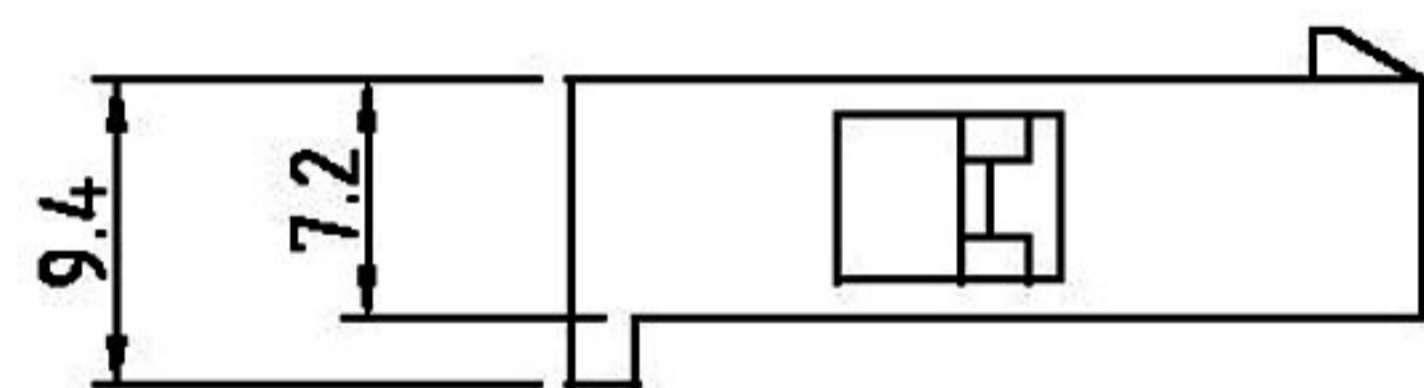
A  
B  
C  
D  
E  
F  
G  
H

A  
B  
C  
D  
E  
F  
G  
H



**Specifications:**

Material: Polyester, UL 94V-2  
 Voltage Rating: 250V  
 Current Rating: 6A  
 Withstand Voltage: 1500V AC/Minute  
 Insulation Resistance: 1000MΩ min.  
 Temperature Range: -25°C~+85°C  
 Contact Resistance: Initial value/10m max.  
 After environmental testing/20mΩ max.  
 Applicable Wire:AWG#18 TO #24



RoHS Compliant		<b>HSM</b> 玄茂科技股份有限公司 HSUAN MAO TECHNOLOGY CO., LTD.	
APPD. 核准	SCALE 比例 参考	TOLERANCE 容許公差 .0 ± 0.25 .00 ± ANG. ±	PART NAME 品名 4.8mm HOUSING 1X2P FEMALE WITH EAR WHITE COLOR UL94-V2 ROHS
DWG. 製圖 Helen	UNIT 單位 MM	SIZE 紙張尺寸 A4	PART NO. 料號 H4800-02FSYW00R
DATE 制表日 2012/7/25	PAGE 張數 1 OF 1	REV. 版本 A	

1 2 3 4 5 6 7 8