

1 2 3 4 5 6 7 8

A

A

B

B

C

C

D

D

E

E

F

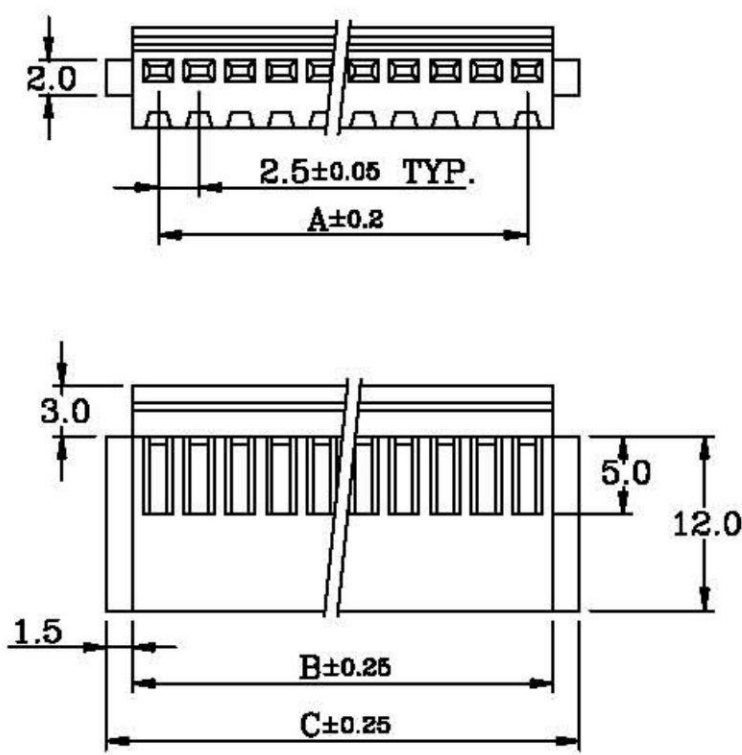
F

G

G

H

H



Specifications:

- Material: Nylon 66 UL 94V-0
- Voltage Rating: 250V AC/DC
- Current Rating: 3A AC/DC
- Withstand Voltage: 1000V AC/Minute
- Insulation Resistance: 500MΩ min.
- Temperature Range: -25°C~+85°C
- Contact Resistance: Initial value/10mΩ max.
After environmental testing/20mΩ max.

Dimensional & Ordering Information:

Circuits	Dimensions mm		
	A	B	C
2	2.50	5.70	8.70
3	5.00	8.20	11.20
4	7.50	10.70	13.70
5	10.00	13.20	16.20
6	12.50	15.70	18.70
7	15.00	18.20	21.20
8	17.50	20.70	23.70
9	20.00	23.20	26.20
10	22.50	25.70	28.70
11	25.00	28.20	31.20
12	27.50	30.70	33.70
13	30.00	33.20	36.20
14	32.50	35.70	38.70
15	35.00	38.20	41.20
16	37.50	40.70	43.70
17	40.00	43.20	46.20
18	42.50	45.70	48.70
19	45.00	48.20	51.20
20	47.50	50.70	53.70

RoHS Compliant		HSM 玄茂科技股份有限公司 HSIUAN MAO TECHNOLOGY CO., LTD.	
APPD. 核准		TOLERANCE 容許公差	PART NAME 品名
DWG. 製圖	HELEN	SCALE 比例	JST NH 2.5mm HOUSING XXP WHITE COLOR -(PRICE OF PER PIN) ROHS LOW-LEAD
DATE 制表日	2010/10/25	UNIT 單位	PART NO.
		M M	料號 H2570-XXPW0000R
		PAGE 張數	
		1 OF 1	
		REV. 版本	
		A	

1 2 3 4 5 6 7 8