

Features:

- 2 ~ 20 circuits available
- UL 94V-0 nylon 66
- Accepts T2507 terminal
- Low profile
- Molded pull tab
- Friction lock

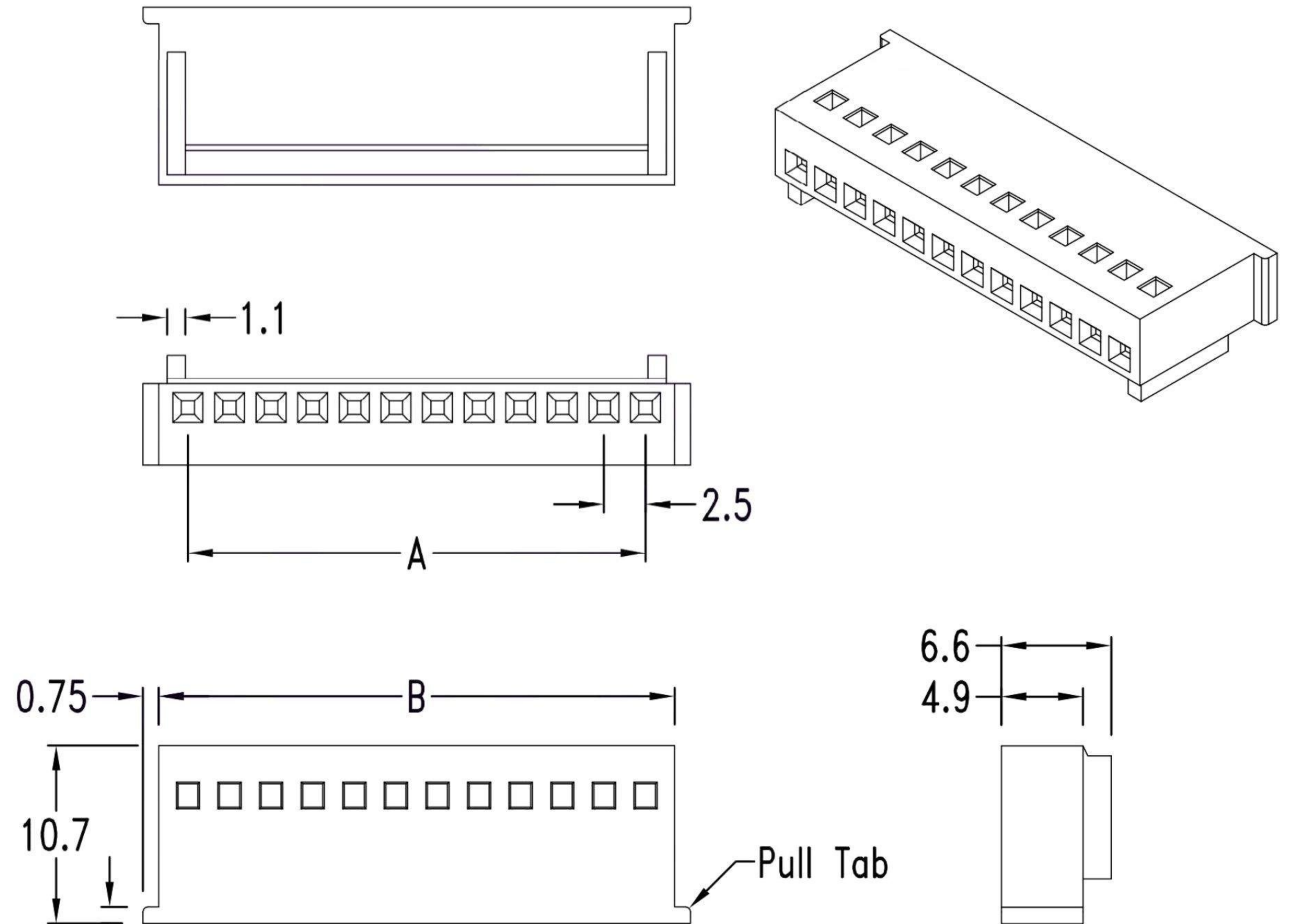
Specification:

- Current rating: 3 A
- Voltage rating: 250V AC, DC
- Contact resistance: 20mΩ Max.
- Insulation resistance: 1000MΩ Min.
- Dielectric withstanding voltage: 1500V AC/minute
- Ambient temperature range: -40°C ~ 105°C

Dimensional Information

Circuits	N
Dim. A	$2.5 \times (N - 1)$
Dim. B	$2.5 \times N + 1$

&& N = 2 ~ 20



RoHS Compliant		HSM 玄茂科技股份有限公司 HSUAN MAO TECHNOLOGY CO., LTD.	
APPD. 核准 HELEN	 TOLERANCE 容許公差 .000 ± 0.08 .00 ± 0.25 .0 ± 0.40	PART NAME 品名 MX 2.5mm HOUSING (MALE HOUSING) 1XXXP WHITE ROHS	
DWG. 製圖 ABBY	SCALE 比例 參考 UNIT 單位 MM	SIZE 紙張尺寸 A 4	PART NO. 料號 H2507-XXPW0000R
DATE 制表日 2013/07/29	PAGE 張數 1 OF 1	REV. 版次 A	